

User's Guide

Publication number E8043-97004

© Copyright Agilent Technologies, Inc. 2000-2002

All Rights Reserved

For Safety information, Warranties, and Regulatory information, see the pages behind the index.

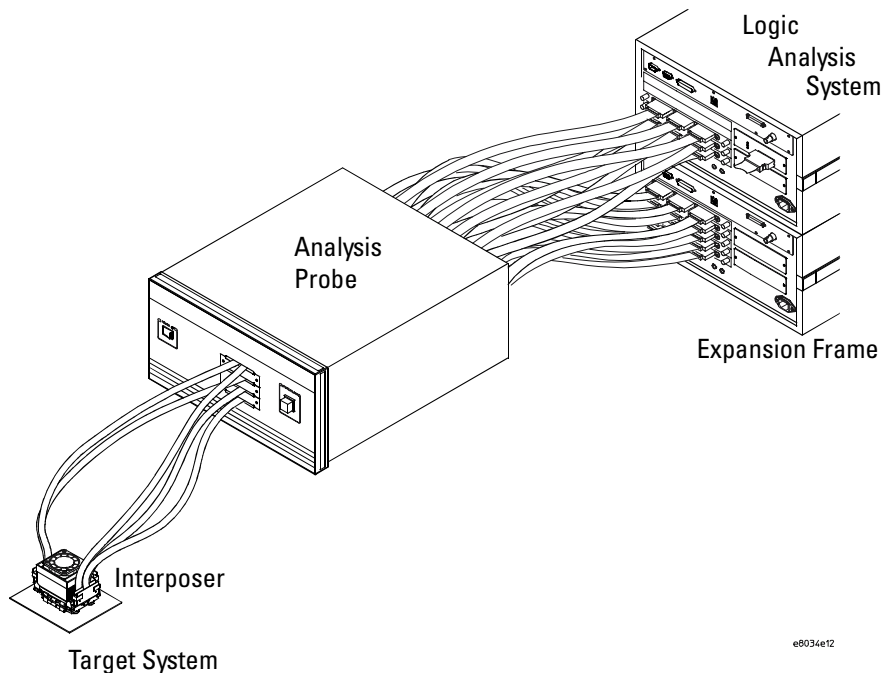
**E8042B Analysis Probe System
for the Intel[®] Xeon[™] Processor
in the 603-Pin Package
Using a Lever-Actuated Socket**

Agilent Analysis Probe for the Intel® Xeon™ Processor in the 603-Pin Package—At a Glance

The Agilent E8042B analysis probe system provides a complete interface for state analysis between Intel® Xeon™ processors and Agilent logic analyzers. The E8042A system is only for use with system boards that utilize a tool-actuated socket. The E8042B system is for use with system boards that utilize a lever-actuated socket.

The system consists of several components: an interposer, an analysis probe, and software for the logic analysis system.

The analysis probe and interposer provide the physical connection between the target microprocessor and the logic analyzer. The configuration software sets up the logic analyzer for compatibility with the analysis probe. The analysis probe must be used with Agilent 16715/16/17/18/19A, 16740/41/42A, or 16750/51/52A logic analyzer modules in an Agilent 16700-series logic analysis system and expansion frame.



In This Book

This book documents the following products:

Product ordered	Includes
E8042B	E8034B analysis probe, E8043B lever-actuated interposer, software, and accessories for the Intel® Xeon™ processor in the 603-pin package.

Additional Information Sources

Additional or updated information can be found in the following places:

Newer editions of this manual may be available. Contact your local Agilent representative.

The **measurement examples** include valuable tips for making analysis measurements. You can find the measurement examples under the system help in your 16700-series logic analysis system.

Contents

At a Glance	2
In This Book	3
Additional Information Sources	3

Part 1 **Installation Guide** 11

Overview of Installation and Setup	12
------------------------------------	----

1 **Equipment and Requirements** 13

Equipment Supplied	14
Additional equipment and software required	16

2 **Preparing the Target System** 17

Mechanical Requirements	18
Keep-Out Area On the Target Board	18
Interposer Dimensions	18
Clearance above the Target Board	19
Heatsink Requirements	19
Bench Space for the Analysis Probe	20
Target System Electrical Requirements	21
Unsupported positions	21

3 Setting Up the Logic Analysis System 23

Power-ON/Power-OFF Sequence 24

To power-ON 24

To power-OFF 24

To cycle power on the target system 24

Installing Logic Analyzer Modules 25

Installing Software 26

To install software from floppy disk 27

4 Probing the Target System 29

Overview 30

Step 1: Remove the heatsink and processor from the target system 32

Step 2: Prepare the socket 33

Step 3: Install the interposer on the target system 34

Step 4: Install the processor on the interposer 37

Step 5: Re-install the heatsink 38

Step 6: Connect the analysis probe to the logic analyzer 39

Uninstalling the analysis probe 40

To straighten bent pins 41

If a pin on the interposer breaks 41

Part 2 Using the Logic Analyzer 43

5 Configuring the Logic Analysis System 45

- Loading Configuration Files 46
 - To load configuration files 46
 - To create your own configuration files 47
 - To load an inverse assembler 48

- Setting Merge Tool Preferences 49

- Loading Symbol Information 51
 - To view predefined symbols 51
 - To load object file symbols 52
 - To access the Symbol Selector dialog: 52
 - To compensate for relocated code 54

- Setting Up Labels for Groups of Signals 55
 - Predefined Label Descriptions 55
 - To define additional labels 55

- Configuring Signal Thresholds 56

6 Capturing Execution 57

- Setting Up Logic Analyzer Triggers 59
 - To set up logic analyzer triggers 60

- Choosing Which States to Store 62
 - Where to view qualified data 62

Contents

equal bits	62
To configure storage qualification to store different kinds of states	63
To set the Store Qualifier switch on the analysis probe	64
To enable storage qualification	65
To disable storage qualification	65
Triggering on a Transaction Type	67
Triggering on address and transaction type	67
Triggering on data and transaction type	67
Capturing Data When the Processor Hangs	68

7 Displaying Captured States 69

Understanding the workspace	70
Data labels	71
To display the captured data	72
To display symbols	73
Displaying Signals as Waveforms	74
To display timing information	74
To display a waveform with the correct polarity	75
Filtering Information in the Listing	76
Using Other Tools to Process and Display Your Data	77
Useful tools	77

8 Troubleshooting the Analysis Probe 79

Troubleshooting the Analysis Probe	80
Logic Analyzer Problems	81

Contents

Intermittent data errors	81
Unwanted triggers	82
No activity on activity indicators	82
No trace list display	82
Analysis Probe Problems	83
Target system will not boot up	83
Erratic trace measurements	84
Capacitive loading	84
Data bus is missing	85
Intermodule Measurement Problems	86
An event wasn't captured by one of the modules	86
Analysis Probe Messages	87
"Measurement Initialization Error"	87
"No Configuration File Loaded"	87
"Selected File is Incompatible"	87
"Slow or Missing Clock"	88
"Waiting for Trigger"	88

Part 3

Reference 89

9 Hardware Reference 91

Analysis probe—operating characteristics	92
Signal-to-connector mapping	94
Data signals	96
Address Signals	105
Control Signals	108

10 General-Purpose ASCII (GPA) Symbol File Format 111

General-Purpose ASCII (GPA) Symbol File Format	112
GPA Record Format Summary	114
SECTIONS	116
FUNCTIONS	117
VARIABLES	118
SOURCE LINES	119
START ADDRESS	120
Comments	120

Part 4 Service Guide 121

Replacing the Interposer	122
To connect the analysis probe to the interposer	122
To return a part to Agilent Technologies for service	125
To get replacement parts	126
To clean the instrument	127

Glossary 129

Index 131

Installation Guide

Overview of Installation and Setup

Follow these general steps to connect your equipment.

Be sure to read all of the installation instructions, with special attention to the precautions required to prevent equipment damage. Note that this manual also contains instructions for disconnecting the equipment.

- 1** Check that you received all of the necessary equipment. See “Equipment and Requirements” on page 13.
- 2** Prepare the target system and the space around the target system. See “Preparing the Target System” on page 17.
- 3** Install logic analyzer modules in your logic analysis system, if necessary. See “Installing Logic Analyzer Modules” on page 25.
- 4** Make the physical connections to probe the target system. This includes installing the interposer between the microprocessor and the socket on the target system, and connecting the cables from the logic analyzer to the analysis probe. See the "Probing the Target System" chapter.
- 5** Turn on the logic analysis system.
- 6** Install the software. See “Installing Software” on page 26.
- 7** Turn on the analysis probe, then the target system. See “Power-ON/Power-OFF Sequence” on page 24.
- 8** Load a configuration file. See “Loading Configuration Files” on page 46.
- 9** Begin making measurements.

Equipment and Requirements

This chapter lists the equipment which is included with your analysis probe, and the additional equipment you need to make measurements.

Equipment Supplied

This section lists equipment supplied with the analysis probe and equipment requirements for using the analysis probe.

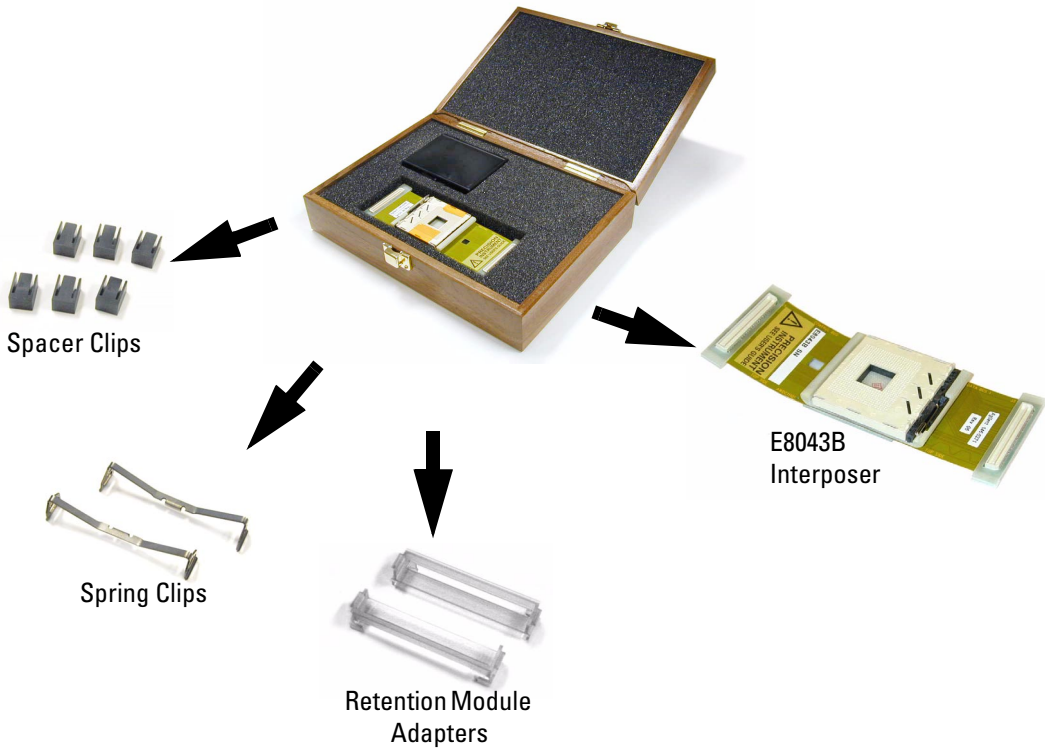
The equipment supplied with the analysis probe is listed below:

- E8034B analysis probe.
- Analysis probe cables, attached to the analysis probe.
- E8043B interposer.
- Pin protector. Leave this pin protector in place until you plug the interposer into the target system.
- Retention module adapters and spring clips to support the heatsink when the interposer is in place.
- Spacer clips to secure the analysis probe cables to the interposers.
- Logic analyzer configuration files, and merge tool software on floppy disk.
- This *User's Guide*.
- Power cord for the analysis probe.

If the cord you received is not appropriate for your electrical power outlet type, contact your Agilent Technologies sales and service office. Use only the power cord supplied with the analysis probe.

See Also

See “To get replacement parts” on page 126 for a list part numbers.



Additional equipment and software required

In addition to the items supplied with the analysis probe, you need all of the following items:

- An Agilent 16700-series logic analysis system. You may need to upgrade the operating system (see page 26) so that it has the same version number as the configuration files.
- An Agilent expander frame.
- At least eight Agilent 16715/16/17/18/19A, 16740/41/42A, or 16750/51/52A logic analyzer modules.

Preparing the Target System

This chapter describes the factors you need to consider when designing and preparing the target system for logic analysis with the analysis probe.

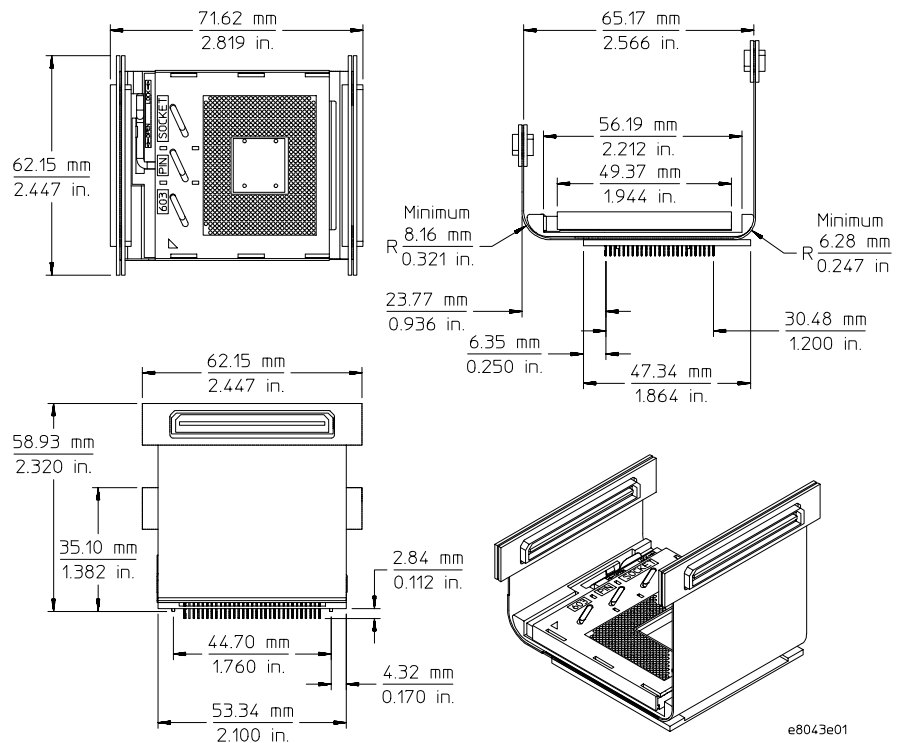
Mechanical Requirements

Keep-Out Area On the Target Board

The interposer extends slightly beyond the area normally occupied by the microprocessor. It is important to keep components from interfering with the interposer in this restricted area.

Interposer Dimensions

The following illustration shows the approximate dimensions of the interposer. Design changes may result in slight variations from these dimensions.



Socket

The top of the socket must be flat. If the socket on your target system has ridges, they need to be removed (see page 33).

The E8043B interposer is for use with lever-actuated sockets. If your target system has a tool-actuated socket, use the E8043A interposer.

Clearance above the Target Board

Be careful to allow adequate space above the target board for the analysis probe, and for egress of the analysis probe cables.

The height of the paddles on the end of the interposer wings above the socket on the target system is 3 inches.

<p>Allow enough room so that the interposer will not be twisted, pulled, or kinked during installation or use. See page 31 for a list of precautions to protect the interposer.</p>

Heatsink Requirements

The interposer is shipped with retention module adapters and modified heatsink spring clips which are designed to work specifically with the Intel-recommended heatsink.

If you use a heatsink of your own design, pay close attention to the keep-out area requirements on the previous page.

Preparing the Target System
Mechanical Requirements

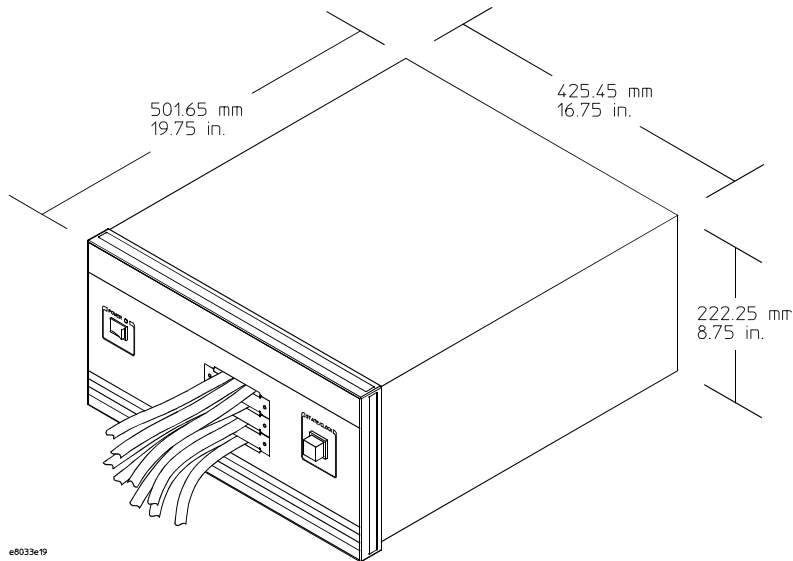
Bench Space for the Analysis Probe

Take care to allow space for the analysis probe be placed near the target system and the logic analysis system. You will also need plenty of space behind the analysis probe for the logic analysis system and expander frame.

Allow at least 5 cm clearance on both sides of the analysis probe for proper cooling.

CAUTION:

Do not block the airflow holes on the sides of the analysis probe box. Blocked airflow may cause overheating and equipment damage



Target System Electrical Requirements

Unsupported positions

In a multiprocessor system, the analysis probe must be used in the end position farthest away from the chip set. Due to electrical requirements, the analysis probe cannot be used in the middle positions.

See Also

Chapter 9, “Hardware Reference,” beginning on page 91.

Preparing the Target System
Target System Electrical Requirements

Setting Up the Logic Analysis System

This chapter shows you how to power on the logic analysis system, how to set up the logic analyzer modules, and how to install the software.

Power-ON/Power-OFF Sequence

Listed below are the sequences for powering on and off a fully connected system. Simply stated, your target system is always the last to be powered on, and the first to be powered off.

Use only the power cord supplied with the analysis probe.

To power-ON

Ensure the target system is powered off.

- 1** Turn on the logic analysis system.
 - 2** Turn on the analysis probe.
 - 3** When the logic analyzer is connected to the target system, and everything is configured, turn on your target system.
-

To power-OFF

Turn off power to your system in the following order:

- 1** Turn off your target system.
 - 2** Turn off the analysis probe.
 - 3** Turn off your logic analysis system.
-

To cycle power on the target system

- Cycle power on the target system only. You do not need to turn off the analysis probe or logic analysis system.
-

Installing Logic Analyzer Modules

You should install logic analyzer, oscilloscope, or pattern generator modules in your logic analysis system before you begin make connections or configure the logic analysis system.

Three logic analyzer cards in the main logic analysis system frame must be connected together as one machine. These cards must be placed in the lower three slots in the frame, with the master card in slot D.

Five cards in the expander frame must be connected together as one machine. Connect the cards so that the master card is in slot H.

All of the cards in a machine should be of the same type.

Here are examples of valid and invalid configurations:

Main Frame	Expander Frame	
Oscilloscope	16717A	Yes
16715A	16717A	
16740A	16717A	
16740A	16717A	
16740A	16717A	

Main Frame	Expander Frame	
	16740A	No
16740A	16717A	
16740A	16717A	
16740A	16717A	
	16717A	

See Also

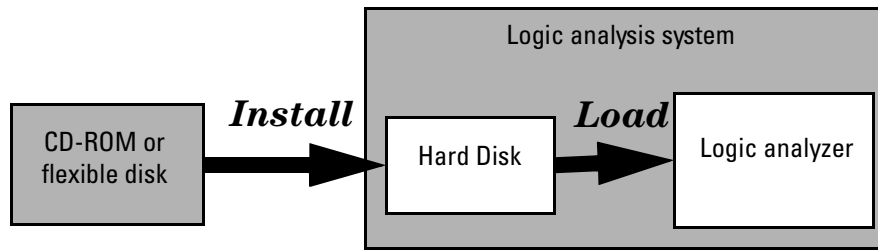
Refer to the Agilent 16700-series logic analysis system's *Installation Guide*.

Installing Software

This chapter explains how to install the software you will need for your analysis probe.

Installing and loading

Installing the software will copy the files to the hard disk of your logic analysis system. Later, you will need to load some of the files into the logic analyzer module.



What needs to be installed

Install the software from the following floppy disks:

- 1 Logic analysis system operating system patches, if applicable.
- 2 Merge tool.
- 3 Logic analysis system configuration files.

Install the disks in the order listed above.

The version number of the operating system must match the version number of the configuration files.

The logic analysis system will end the current session after installing the patch and again after installing the merge tool.

To install software from floppy disk

Installing a processor support package will take just a few minutes.

- 1** Insert the first disk in the drive.
- 2** Select the System Admin icon.
- 3** Select the Software Install tab.
- 4** Select Install... .

Change the media type to “Floppy Disk” if necessary.

- 5** Select Apply.
- 6** Select the software package.

Since you are installing from a floppy disk, only one package will be listed.

- 7** Select Install.

The Continue dialog box will appear.

- 8** Select Continue.

The dialog box will display “Progress: completed successfully” when the installation is complete.

- 9** If required, the system will automatically reboot. Otherwise, close the software installation windows.

The configuration files are stored in `/logic/configs/hp/processor`.

The inverse assemblers are stored in `/logic/ia`.

See Also

The on-line help for more information on installing, licensing, and removing software.

Setting Up the Logic Analysis System

Installing Software

Probing the Target System

This chapter shows you how to connect the logic analyzer to the target system through the analysis probe.

This chapter explains how to connect the Agilent E8034B analysis probe to the target system.

Overview

Connecting the analysis probe to the target system consists of the following steps:

- Step 1: Remove the heatsink and processor from the target system (page 32).
- Step 2: Prepare the socket (page 33).
- Step 3: Install the interposer on the target system (page 34).
- Step 4: Install the processor on the interposer (page 37).
- Step 5: Re-install the heatsink (page 38).
- Step 6: Connect the analysis probe to the logic analyzer (page 39).

CAUTION:

To prevent equipment damage, remove power from the target system and analysis probe before making attachments.

Protecting the Interposer

Here is a summary of precautions to take to avoid damaging the interposer:

DO minimize the removal of the analysis probe cables, once they are connected to the interposer.

DO minimize the removal of the interposer, once it is connected to the microprocessor and target system.

DO exercise patience and care when working with the interposer.

DO use ESD precautions.

DO remove power from the target system and analysis probe before making attachments.

DO protect the pins from damage by covering them with the pin protector when the interposer is not in use.

DO NOT remove the protective tape from the interposer "wing."

DO NOT insert any kind of tool between the interposer and the microprocessor, except as described in this manual.

DO NOT kink the analysis probe cables.

DO NOT pull on or twist the "wings" of the interposer.

DO NOT use the E8043B interposer in a tool-actuated socket. (The E8043B lever-actuated interposer has a hole in the flexible "wing" similar to the E8043A tool-actuated interposer, but the E8043B is not designed for use with tool-actuated sockets.)

CAUTION:

Use ESD precautions. Electrostatic discharge (ESD) can damage the interposer, as well as the target system. Use grounded wrist straps and mats when you handle the interposer, the processor, or the target system.

Step 1: Remove the heatsink and processor from the target system

CAUTION:

Remove all power from the target system. To prevent equipment damage, physically disconnect all power sources from the target system before removing or installing any components.

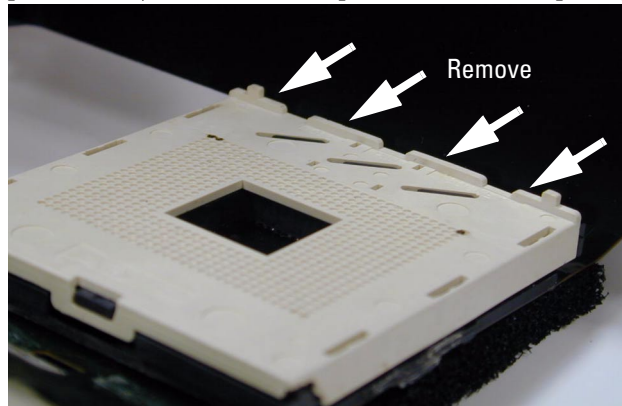
- 1** Unplug the power cable from the heatsink.
- 2** Remove the heatsink spring clips.

Keep the spring clips in a safe place. You will need them to reinstall the microprocessor without the analysis probe. You may want to label the clips, so they won't get mixed up with the clips which come with the analysis probe.
- 3** Gently twist the heatsink to break the bond of the thermal grease, then lift the heatsink from the processor.
- 4** Open the socket and remove the processor from the socket on the target system.

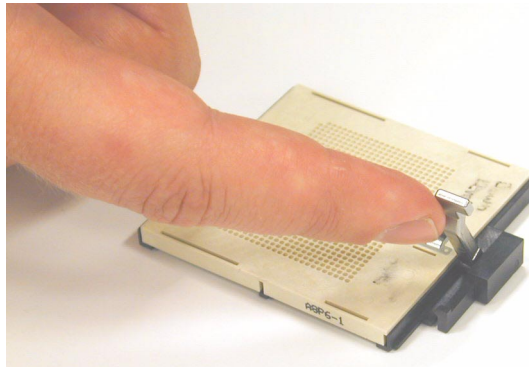
Step 2: Prepare the socket

1 Remove protrusions from the socket.

The socket on the target system probably has protrusions such as ridges or posts at the edge. Carefully use a pair of snips or cutters to remove the protrusions, so that the interposer can rest completely flat against the socket.



2 Check that the socket on the target system is still open. If necessary, lift the lever of the ZIF socket on the target system.



Step 3: Install the interposer on the target system

CAUTION:

Do not kink the analysis probe cables. Kinking the analysis probe cables will change the calibration, and the analysis probe will have to be returned for repair and recalibration.

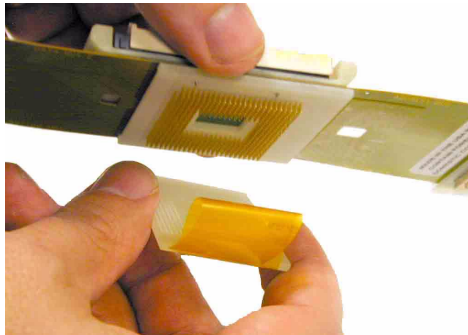
CAUTION:

Be very careful when handling the interposer. Do not bend the pins on the interposer. Bent pins on the interposer can damage the socket on your target system.

Review the precautions on page 31 before handling the interposer. Broken pins cannot be repaired.

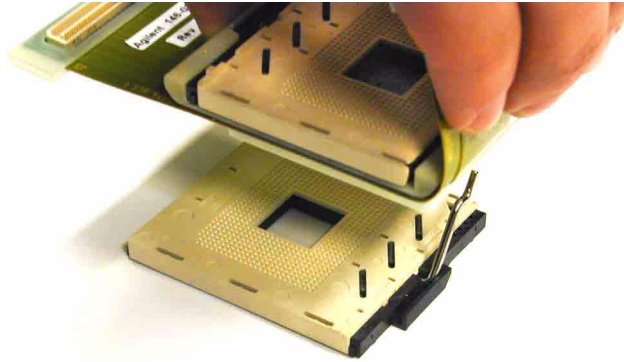
- 1 Remove the pin protector from the bottom of the interposer.

Keep the pin protector. You will need it to prevent damage to the interposer whenever the interposer is not plugged into the target system.



- 2 Check that all of the pins on the interposer are straight.

- 3 Bend the flexible "wings" of the interposer upward, then align the interposer over the socket on the target system.



The socket on the interposer is rotated 180° relative to the socket on the target system. This is done so that the target socket's lever will not interfere with the installation of the interposer. The interposer can only be inserted one way—look for "missing" pins at the corners of the socket.

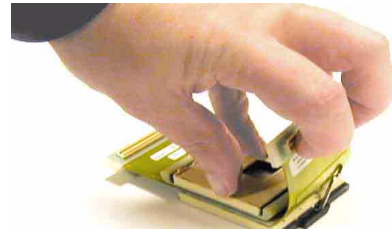
Grasp the "wing" of the interposer so that it does not press or rub against the lever of the socket.

The tape on the interposer wing provides some protection, but it is best if the interposer never touches the lever of the socket.

- 4 Gently wiggle the assembly until you feel the pins fall into the holes of the socket.
- 5 With one hand, gently hold the "wing" of the interposer so that it does not rub against the lever of the socket and apply light downward pressure on the interposer.



OR



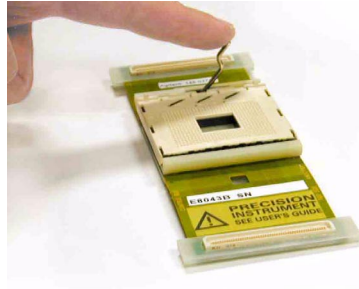
Probing the Target System

- 6 Visually check that the bottom of the interposer is flush with the top of the socket on the target system.
- 7 With the other hand, close the lever of the socket.

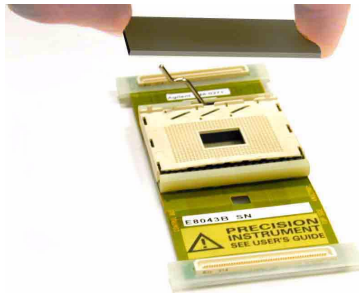


Step 4: Install the processor on the interposer

- 1 Open the socket on the interposer.



- 2 Align the processor over the socket on the interposer.

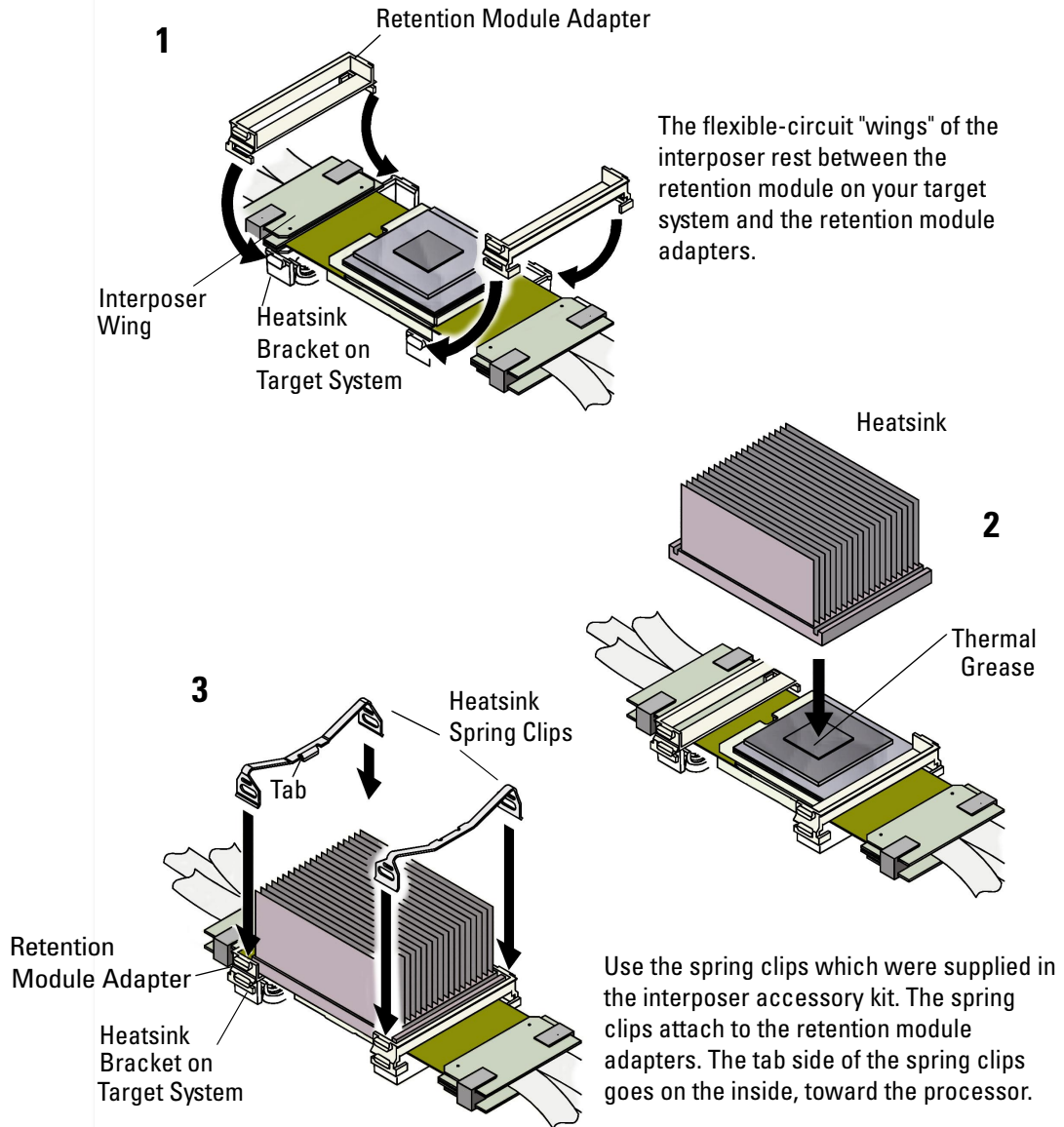


CAUTION

The processor should be oriented the same way that it was originally oriented on the target system. Note that the orientation of the processor with respect to the lever on the socket is opposite from the target system. The socket is keyed, so the processor will only go in the right way.

- 3 Gently wiggle the assembly until you feel the pins fall into the holes. Visually check that the bottom of the processor module is flush with the top of the socket on the interposer.
- 4 Apply light downward pressure on the processor while you close the interposer socket.

Step 5: Re-install the heatsink

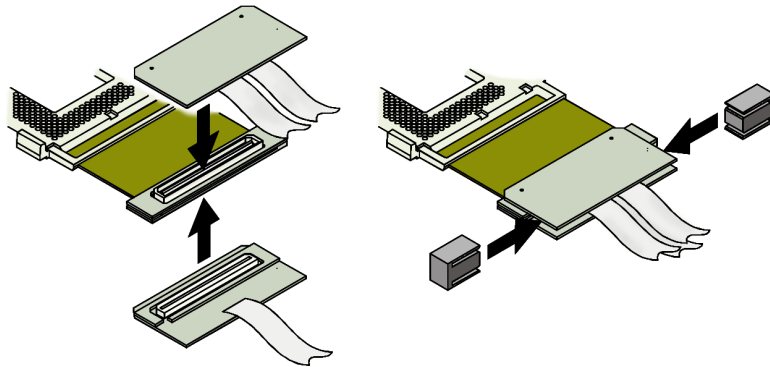


Step 6: Connect the analysis probe to the logic analyzer

1 Connect the analysis probe cables to the interposer.

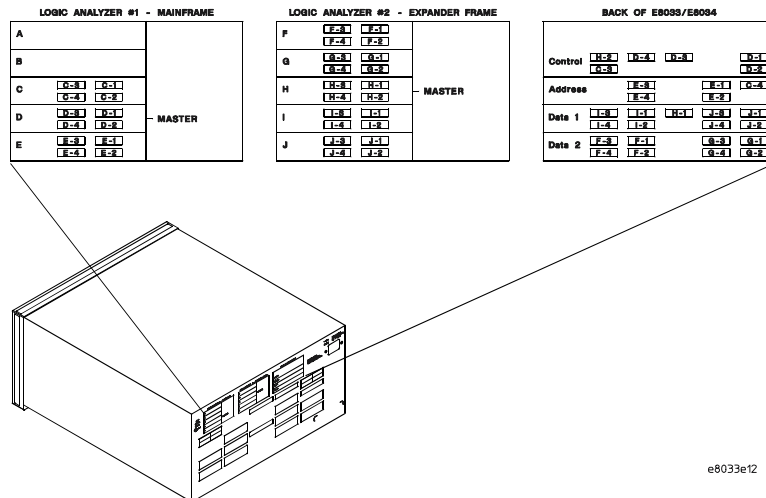
Refer to the silkscreened labels on the interposer and on the cable paddles.

Install the supplied spacer clips to keep the paddles on the end of the analysis probe cables from pulling apart.



2 Connect the analysis probe to the logic analyzer.

Connect the pod cables to the connectors on the analysis probe as shown on the back of the analysis probe.



e8033e12

Uninstalling the analysis probe

CAUTION: To maximize the life of the interposer and socket, minimize uninstalling and reinstalling the interposer.

CAUTION: Leave the analysis probe cables attached to the interposer.

CAUTION: Use ESD precautions. Electrostatic discharge (ESD) can damage the interposer, as well as the target system. Use grounded wrist straps and mats when you handle the interposer.

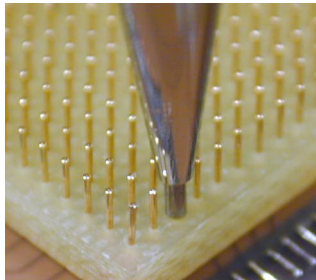
CAUTION: Be very careful when handling the interposer. Do not bend the pins on the interposer. Avoid pulling on the "wings" of the interposer. Do not insert any kind of tool between the interposer and the target system.

- 1** Remove power from the target system and from the analysis probe.
You may leave the logic analysis system turned on.
- 2** Remove the spring clips and heatsink.
- 3** Remove the processor from the interposer.
- 4** Remove the interposer from the target system.
- 5** Install the pin protector on the bottom of the interposer.
- 6** Re-install the processor and interposer on the target system.

To straighten bent pins

When handling or installing the processor or the interposer, care must be taken not to bend pins. Here is a practical suggestion for straightening bent pins:

- 1 Find a 0.5mm mechanical pencil.
- 2 Remove the lead from the tip of the pencil.
- 3 Place the tip of the pencil over the bent pin and bend it to the correct angle.



If a pin on the interposer breaks

Broken pins cannot be repaired.

If only one pin (or a few pins) on the interposer is broken, check whether the pin carries a signal which you need to capture. If the pin is a ground or power pin, measurements should not be affected.

To find out whether the broken pin is an "important" one, consult your pinout documentation for the processor.

Probing the Target System

To straighten bent pins

Using the Logic Analyzer

Configuring the Logic Analysis System

This chapter shows you how to load configuration files, which set up the logic analysis system for your microprocessor, and how to further configure the software before you begin making measurements.

Loading Configuration Files

You configure the logic analyzer by loading a configuration file. The information in the configuration file includes:

- Label names and channel assignments for the logic analyzer.

There is only one configuration file.

To load configuration files

- 1** Click on the File Manager icon. Use File Manager to ensure that the subdirectory `/logic/configs/hp/` exists.

If the above directory does not exist, see “To install software from floppy disk” on page 27.

- 2** Using File Manager, select the configuration file from the `/logic/configs/hp/` directory, then click `load`.

The logic analyzer is configured for Xeon™ analysis by loading the appropriate configuration file. Loading configuration files also automatically sets up the workspace.

The version number of the configuration file must match the version number of the logic analysis system’s operating system.

- 3** Close File Manager.

To create your own configuration files

If you create and save your own configurations, start with a copy the supplied configuration file and delete the labels you don't need, rather than building a configuration from scratch.

There are some characteristics of the supplied configuration file that you should be aware of:

- The data bus is split between two labels. This is necessary because the logic analyzer allows only 32 bits to be assigned to a label.
- To save a configuration, be sure to save the whole workspace, not just the logic analyzer configuration. This is necessary because the measurement setup spans several parts of the workspace, including several logic analyzer "machines" and the merge tool.

Do not delete or rename any of the following labels. They are required by the Merge tool:

- D63_32_P1
- D31_00_P1
- D63_32_P2
- D31_00_P2
- D63_32_P3
- D31_00_P3
- D63_32_P4
- D31_00_P4
- STAT_2
- DB_P1
- DB_P2
- DB_P3
- DB_P4
- GC
- GC_ADDR
- DRDY#
- DB_IDLE

See Also

See the online help for general information on modifying, saving, and loading configuration files.

To load an inverse assembler

Disassembly for the Intel® Xeon™ processor in the 603-pin package can be provided through American Arium and connection to the WinDbg debugger. See the debugger documentation for more information.

Contact American Arium at:

American Arium
14811 Myford Road
Tustin, CA 92780

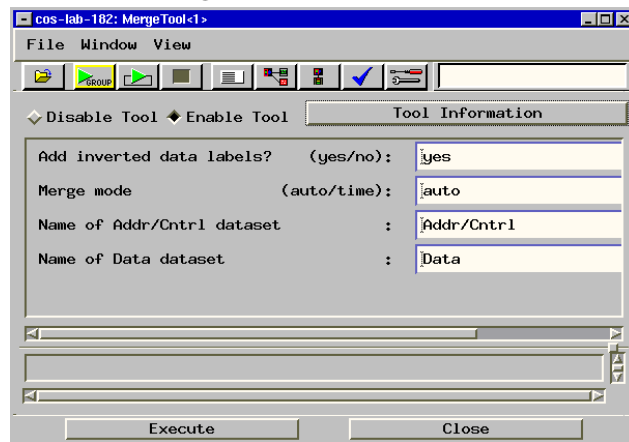
877-508-3970
714-731-1661

www.arium.com

Setting Merge Tool Preferences

The default settings work well in most situations. If you need to make changes:

- 1 Make sure the appropriate configuration file has been loaded.
- 2 Open the Workspace window.
- 3 Select the Merge tool.



- 4 Set the preferences as follows:

Add inverted data labels? Enter yes (the default) if you want the Merge tool to output additional data labels which are inverted as needed to show the logical data values.

Enter no if you do not want the inverted data labels (that is, if you *only* want to see data with the polarity as found on the front side bus).

Merge mode. Enter auto (the default) if you want the merge tool to automatically switch to merging by state when the traces from both machines end at state 0. Otherwise, the tool will merge by time. See “Capturing Data When the Processor Hangs” on page 68.

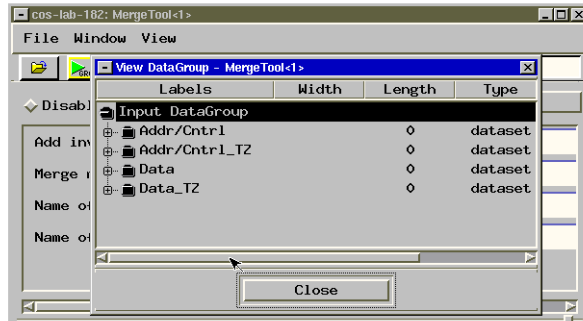
Enter time if you need to set an "end" trigger which may cause both listings to end with state 0. (This is rarely necessary...even with the trigger set to "end", most traces run a few states past 0.)

Configuring the Logic Analysis System

Setting Merge Tool Preferences

Dataset names. By default, the Merge tool expects to get its input from machines named "Addr/Cntrl" and "Data". (See page 70 for a diagram.) If you renamed the machines in the workspace, you must enter the new names here.

To see the names of the machines currently being used by the Merge tool, select the View menu.



Loading Symbol Information

Symbols are more easily recognized than hexadecimal address values in logic analyzer trace displays, and they are easier to remember when setting up triggers.

Agilent logic analyzers let you assign user-defined symbol names to particular label values.

Also, you can download symbols from certain object file formats into Agilent logic analyzers.

To view predefined symbols

User-defined symbols are symbols you create in the logic analyzer by assigning symbol names to label values. Typically, you assign symbol names to address label values, but you can define symbols for data, status, or other label values as well.

User-defined symbols are saved with logic analyzer configurations. The supplied logic analyzer configuration files contain predefined symbols for logic analyzer labels.

To display the predefined symbols:

- 1** Open the logic analyzer's Setup window.
- 2** Select the Symbols tab.
- 3** Select the User Defined Symbols tab.
- 4** Choose a label name from the "Label" list.

The logic analyzer will display the symbols associated with the label.

To load object file symbols

The most common way to load program symbols into the logic analyzer is from an object file that is created when the program is compiled. The object file containing symbolic debug information must be in a format the logic analyzer understands.

If your compiler generates object files in a format that the logic analyzer doesn't understand, you can use a General-Purpose ASCII (GPA) symbol file (see "General-Purpose ASCII (GPA) Symbol File Format" on page 111).

To load symbols in the Agilent 16700-series logic analysis system:

- 1** Open the logic analyzer module's Setup window.
- 2** Click the Symbol tab.
- 3** Click the Object File tab.

Make sure the label is ADDR.

From this dialog you can select object files and load their symbol information.

When you load object file symbols into a logic analyzer, a database of symbol/line number to address assignments is generated from the object file.

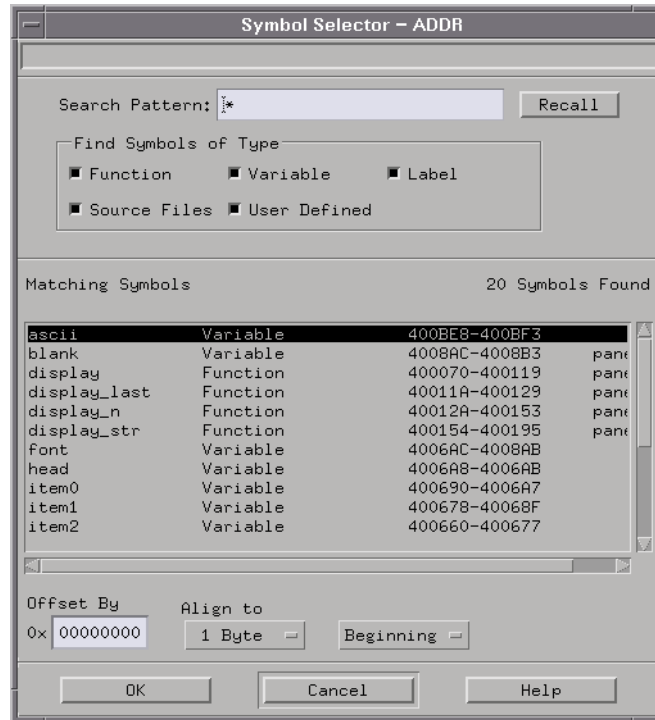
To access the Symbol Selector dialog:

The Symbol Selector dialog allows you to view the database so you can find a symbol to use in place of a hexadecimal value when defining trigger patterns, trigger ranges, and so on.

The Symbol Selector dialog may be accessed in various ways. One way to access the Symbol Selector dialog is from the Search tab in the Listing display.

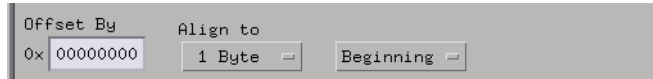
- 1** Under the Search tab in the Listing display, click Advanced Searching.
- 2** In the Goto Pattern dialog, click Define.
- 3** In the Search Pattern dialog, select the Symbols numeric base.
- 4** Select Pattern, Range, Not Pattern, or Not Range.
- 5** Click the field to the right of the Pattern/Range selection button.

- 6 In the Symbol Selector dialog that appears, select the symbol you want to use.



To compensate for relocated code

When code segments are relocated, or when memory management units produce fixed code offsets, you can compensate by using the address offset field in the Symbol Selector dialog.



Entering the appropriate address offset will cause the logic analyzer to reference the correct symbol information for the relocatable or offset code.

Setting Up Labels for Groups of Signals

Predefined Label Descriptions

The logic analyzer configuration file automatically sets up labels for most microprocessor signals.

Labels which correspond to processor signals are displayed in upper case.

Labels which for signals which are generated by the analysis probe are generally displayed in lower case.

Some of the generated signals include:

DB_IDLE

Also called databusidle. This signal is used by the Merge tool.

GC signals

Internal use by the logic analysis software only.

See Also

For a list of all of the signals, see “Signal-to-connector mapping” on page 94.

To define additional labels

- 1** Open the Setup window.
- 2** Click the Format tab.
- 3** Click a label and select Insert before... or Insert after...
- 4** Click the signals under the appropriate pod, then select which bits to include in the label.

Configuring Signal Thresholds

Do not change the signal thresholds or set-up and hold times.

Remember that the logic analyzer is connected to the analysis probe. Changing these parameters will only disrupt the communication between the analysis probe and the logic analyzer—it will not affect how the analysis probe acquires signals from the processor.

Capturing Execution

This chapter shows you how to set up logic analyzer triggers to capture just the data you want.

Capturing Execution

The normal steps in using the logic analyzer are:

1. Configure the logic analyzer.
2. Format labels for the logic analyzer channels (that is, mapping logic analyzer channels to target system signal names).
3. Load symbols from the program's object file.
4. Set up the trigger, and run the measurement.
5. Display the captured data.

The logic analyzer is configured, and labels are created (formatted) for the logic analysis channels when configuration files are loaded (see “Loading Configuration Files” on page 46).

You can load program object file symbols into the logic analyzer when configuring it (see “Loading Configuration Files” on page 46).

This chapter describes setting up logic analyzer triggers. See Chapter 7, “Displaying Captured States,” beginning on page 69 for information on displaying captured data.

Note: The screens you see may be different from what you see in this manual, depending on the version of your logic analyzer system software.

Setting Up Logic Analyzer Triggers

Triggering on 64-bit data

Triggering on a 64-bit data word is not currently possible. To do this, one would have to set up the trigger to recognize each permutation of inverted and non-inverted data, which would consume all of the analyzer's triggering resources.

Triggering on 16-bit data

Set up a trigger to recognize both the desired 16-bit value and its inverse.

Triggering on address or control signals

There are no unusual restrictions for triggering on address values or control signals.

Triggering on address or control signals and 16-bit data

The address and control signals are captured by one machine (the group of cards in the main frame) and the data signals are captured by another machine (the group of cards in the expander frame). Therefore, you must cross-trigger between the two machines. This cross-triggering introduces a delay of approximately 100 ns. For general information on cross-triggering, select the Help button in the main logic analysis system window, then scroll down to "The Intermodule Window."

To set up logic analyzer triggers

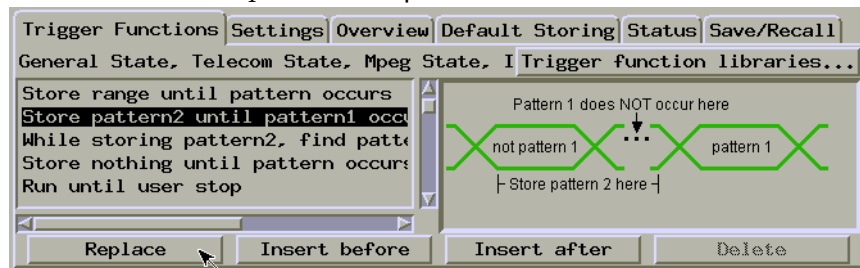
- 1 Open the logic analyzer's Setup window.



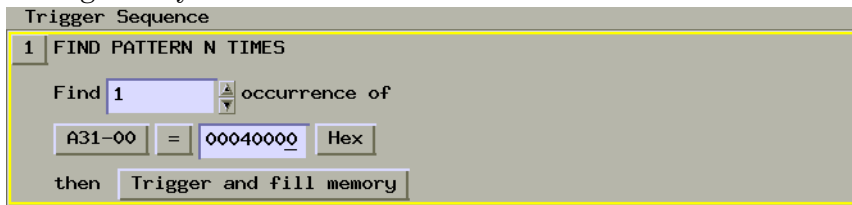
- 2 Select the Trigger tab.



- 3 Select the trigger function that will be used in the logic analysis measurement and press the Replace button.



- 4 Define the patterns, ranges, and other resources that will be used in the logic analysis measurement.



- 5 Run the measurement.



See Also

The Agilent 16700-series logic analysis system's on-line help for more information on setting up logic analyzer triggers.

Choosing Which States to Store

You can increase the amount of data captured by the analyzer, and make the listing display easier to read, by using **storage qualification** to store only selected kinds of states. For example, you can configure the analyzer to not store idle states.

Storage qualification can be set up using a combination of:

- the Store Qualifier switch on the front panel of the analysis probe, and
- the default storing configuration in the logic analyzer's Setup window.

Where to view qualified data

In the Waveform window, some states may look as if they were skipped. To see true qualified data, look at the time tag label in the Listing window.

cqual bits

The cqual1# and cqual2# bits are used to qualify BCLK for the address and control machine. (The AND of these bits appears as the Cqual# label.)

When the analysis probe is placed in expanded mode, cqual1# and cqual2# are inactive for idle states, for multiple reset states, and for consecutive states. This results in the elimination of these states from the trace captured by the analyzer.

To configure storage qualification to store different kinds of states

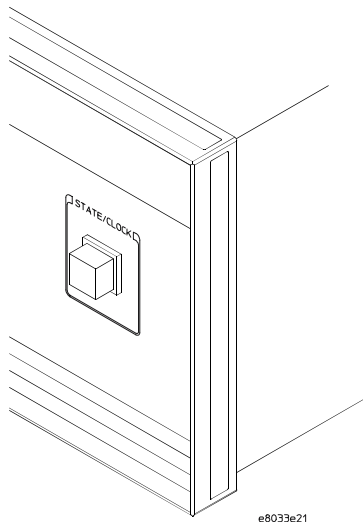
- Set the mode switch and default storing as follows:

States to be Stored	Store Qualifier Switch	Default Storing
Store all states	No effect	Disable storage qualification
Store all states except: <ul style="list-style-type: none"> • Idle states 	Expanded	Enable storage qualification: store if cqual1# = 0 or cqual2# = 0
Store all states except: <ul style="list-style-type: none"> • Idle states • Consecutive reset states (only the first and last reset states are stored) • Consecutive states 	Compacted	Enable storage qualification: store if cqual1# = 0 or cqual2# = 0

You can turn the clock qualifier off and capture all bus clocks; however, you should not attempt any other storage qualification using the trigger sequence, as that might result in error messages in the listing.

To set the Store Qualifier switch on the analysis probe

The Store Qualifier mode switch determines when the equal bits are asserted, as shown in the preceding table.



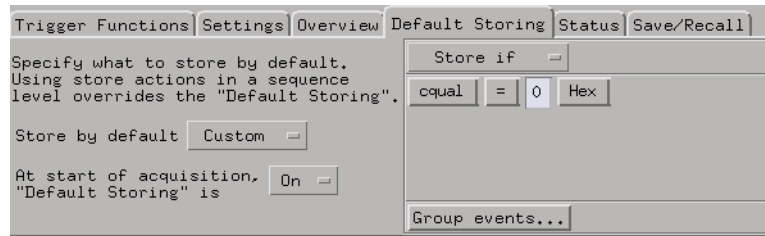
To enable storage qualification

The default storing configuration determines whether storage qualification is enabled or disabled.

- 1 Open the Setup window.

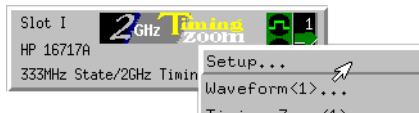


- 2 Select the Trigger tab.
- 3 Select the Default Storing tab.
- 4 Set Store by default to Custom.
- 5 Set the storage qualification to Store if Cqual# = 0.



To disable storage qualification

- 1 Open the Setup window.

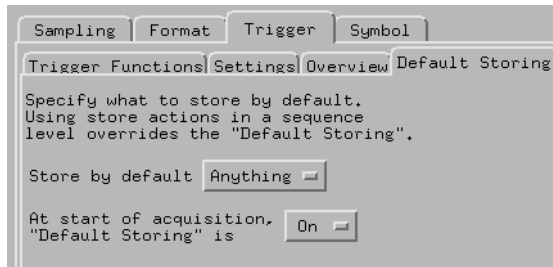


- 2 Select the Trigger tab.
- 3 Select the Default Storing tab.

Capturing Execution

Choosing Which States to Store

4 Set Store by default to Anything.



Triggering on a Transaction Type

Triggering on address and transaction type

To trigger on a specific address and transaction type, use the A35-32, A31-00, and TranTy labels, together with the TranTy label symbols. The symbols identify each transaction type uniquely, except for Interrupt Acknowledge and Special Transactions, which are combined into one symbol.

Triggering on data and transaction type

There is no guaranteed method of triggering on a particular transaction type or address ANDed with a particular data value in a target system with overlapping transactions. Alignment in the Listing window is the result of post-processing and cannot be used for triggering. The analysis probe hardware captures this information on different states. A trigger specification could be defined to find a certain transaction type; however, by the time the data pattern is found, it could belong to a different transaction.

Capturing Data When the Processor Hangs

- 1** When the processor seems to have hung during a trace measurement, select the Stop Group Run button.
- 2** The merge tool will switch to merging by state, rather than by time, when it detects that both machines have stopped at state 0.

It is possible to force the merge tool to always merge by time. See page 49.

Displaying Captured States

This chapter shows how to display, filter, and interpret data which has been captured by the logic analysis system.

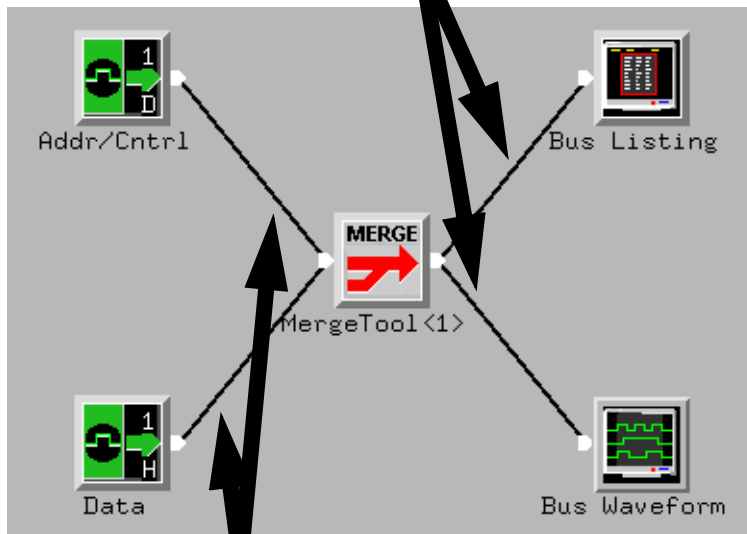
Understanding the workspace

The Workspace window shows the relationship between the parts of your measurement setup:

The Address/Control machine outputs raw data from the 3 logic analyzer cards in the main frame. A trigger in this machine will trigger the Data machine.

Merged data, so display tools can display both data and address/control signals.

The Listing window shows bus transactions in a readable form.



The Data machine outputs raw data from the 5 logic analyzer cards in the expander frame.

Raw data from analysis probe. Includes "extra" signals generated by the analysis probe for use by the merge tool software. Generally, you should not connect a display tool (Listing or Waveform window) directly to the machines.

The Waveform window shows states as waveforms.

Data labels

There are three sets of data labels. Labels are limited to 32 bits, so there are 8 labels in each set: 2 labels to hold the upper and lower 32 bits for each of the 4 phases.

"P" labels

The Data machine uses labels like D63-32_P1. You will see these labels in the Format window of the Data machine. Normally, you will not use these labels; they are used by the Merge tool. Do not delete or rename these labels.

"D" labels

The Merge tool always outputs labels like D63-32_1. These labels show data exactly as it is captured by the logic analyzer on the bus.

"DI" labels

The Merge tool also outputs inverted labels like DI63-32_1. Chunks of data which were inverted on the bus (as indicated by the DBI bits) are re-inverted so that all of the data appears as it would internally to the processor.

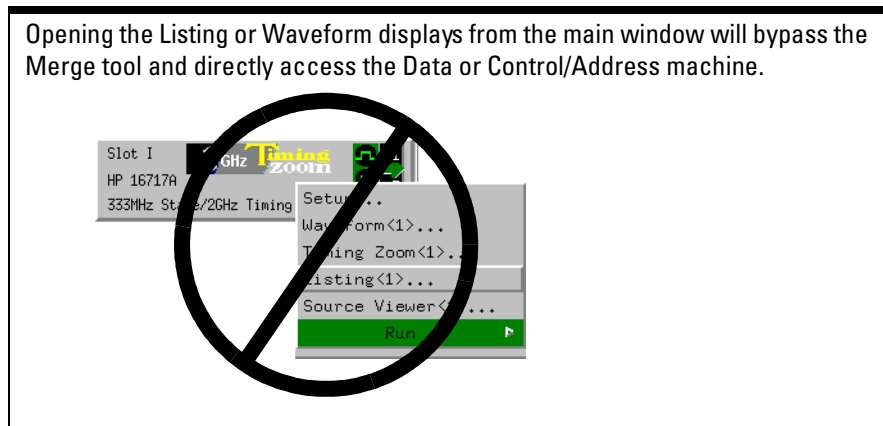
If you do not want to use the "DI" labels at all, you can configure the merge tool not to generate them (page 49).

"DBI" labels

The DBI_4[3:0], DBI_3[3:0], DBI_2[3:0], and DBI_1[3:0] bits indicate whether the a particular 16-bit chunk of data is inverted on the bus. For example, if DBI_3[2] = 1, the data in the lower 16 bits of the D63-32_3 label is inverted on the bus.

To display the captured data

- 1 In the Workspace window, connect a Listing display to the output of the Merge tool.

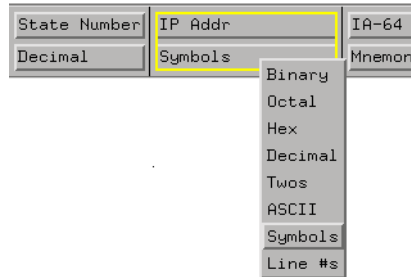


See Also

The Agilent 16700-series logic analysis system on-line help for information on using the Listing display.

To display symbols

- In the Listing window, select the label base and select Symbols.



You can display a label in symbolic form, if you have defined symbols for that label. Any symbols that have been defined will be displayed in place of the captured values.

For example, if your compiler or assembler outputs a symbol file, you can display IP addresses in terms of the modules and functions in your source code.

See Also

“Loading Symbol Information” on page 51

“Loading Configuration Files” on page 46.

Displaying Signals as Waveforms

To display timing information

The Agilent E8034B does not support asynchronous timing analysis. However, you can use the Waveform window to display the timing relationship of various signals relative to their sampling with BCLK.

To capture these waveforms:

- 1** Set the operating mode to State-per-clock with Expanded Clock Qualifier
- 2** Turn off the clock qualifier using the Master Clock field in the Format menu.
- 3** In the Workspace window, connect a Waveform tool to the output of the Merge tool, as shown on page 70.

Opening the Listing or Waveform displays from the main window will bypass the Merge tool and directly access the Data or Control/Address machine.

You can also use the Waveform display in the state analysis mode to display state timing diagrams.

To display a waveform with the correct polarity

There are two sets of data labels. It is important to select the appropriate labels for your needs:

- The "D" labels display each signal with the actual polarity which appears at the pins of the processor.
- The "DI" labels generated by the Merge tool re-invert the data bits as necessary so that they are all shown with the same polarity.

Filtering Information in the Listing

The filtering options allow you to display or hide certain types of microprocessor bus cycles.

Because the filter options do not affect the data that is stored by the logic analyzer (they only affect whether that data is displayed), they let you display the same data in different ways.

Filtering allows faster analysis in two ways:

- Unneeded information can be taken out of the display.
- Particular operations can be isolated by suppressing all other operations. For example, code reads can be shown, with all other states suppressed, allowing quick analysis of program activity.

You can also use color to distinguish between cycle types (when they are displayed). Color can be used for distinguishing between memory bank accesses or cycle types, but not both at the same time.

Using Other Tools to Process and Display Your Data

Useful tools

Some tools in your logic analysis system which are useful for analysis of Xeon™ processors include:

Chart Tool. For displaying x-y plots of various data values.

Compare Tool. For comparing a "golden trace" from a known-good target system to a trace from another target system.

Distribution Tool. For displaying an overview of activity in a bar-graph form.

Pattern Filter. For excluding selected data from a data stream before you view it or store it.

System Performance Analyzer. (Licensed separately.) For displaying the distribution of bus events in time, for visually identifying patterns of activity, and for identifying operations which consume significant system resources.

Tool Development Kit. (Licensed separately.) For writing programs to postprocess data in any way you like.

American Arium WinDb debugger. For inverse assembly.

Displaying Captured States

Using Other Tools to Process and Display Your Data

Troubleshooting the Analysis Probe

This chapter explains how to solve problems you could encounter when you use the analysis probe.

Troubleshooting the Analysis Probe

If you encounter difficulties while making measurements, use this chapter to guide you through some possible solutions. Each heading lists a problem you may encounter, along with some possible solutions.

The information in this chapter is presented in the following sections:

- Logic analyzer problems
- Analysis probe problems
- Inverse assembler problems
- Intermodule measurement problems
- Messages

If you still have difficulty using the analyzer after trying the suggestions in this chapter, please contact your local Agilent Technologies service center.

CAUTION:

When you are working with the analyzer, be sure to power down both the analyzer and the target system before disconnecting or connecting cables, probes, and analysis probes. Otherwise, you may damage circuitry in the analyzer, analysis probe, or target system.

Logic Analyzer Problems

This section lists general problems that you might encounter while using the logic analyzer.

Intermittent data errors

This problem is usually caused by poor connections, incorrect signal levels, or marginal timing.

- ❑ Remove and reseal all cables and probes, ensuring that there are no bent pins on the analysis probe or poor probe connections.
- ❑ Check that the analysis probe cables and logic analyzer cables have not been physically damaged or kinked.
- ❑ Use an oscilloscope to check the signal integrity of the data lines.

Clock signals for the state analyzer must meet particular pulse shape and timing requirements. Data inputs for the analyzer must meet pulse shape and setup and hold time requirements.

See Also

See *Capacitive Loading* in this chapter for information on other sources of intermittent data errors.

Unwanted triggers

Unwanted triggers can be caused by instructions that were fetched but not executed.

- ❑ Add the prefetch queue or pipeline depth to the trigger address to avoid this problem.

The logic analyzer captures prefetches, even if they are not executed. When you are specifying a trigger condition or a storage qualification that follows an instruction that may cause branching, an unused prefetch may generate an unwanted trigger.

No activity on activity indicators

- ❑ Check for loose cables, board connections, and analysis probe connections.
- ❑ Check for bent or damaged pins on the analysis probe.

No trace list display

If there is no trace list display, it may be that your trigger specification is not correct for the data you want to capture, or that the trace memory is only partially filled.

- ❑ Check your trigger sequencer specification to ensure that it will capture the events of interest.
- ❑ Try stopping the analyzer; if the trace list is partially filled, this should display the contents of trace memory.

Analysis Probe Problems

This section lists problems that you might encounter when using an analysis probe. If the solutions suggested here do not correct the problem, you may have a damaged analysis probe. Contact your local Agilent Technologies Sales Office if you need further assistance.

Target system will not boot up

If the target system will not boot up after connecting the analysis probe, the microprocessor (if socketed) or the analysis probe may not be installed properly, or they may not be making electrical contact.

- Ensure that you are following the correct power-on sequence for the analysis probe and target system.

1 Power up the analyzer and analysis probe.

2 Power up the target system.

If you power up the target system before you power up the analysis probe, interface circuitry in the analysis probe may latch up and prevent proper target system operation.

- Verify that the microprocessor and the interposer are securely inserted into their respective sockets.
- Verify that the logic analyzer cables are in the proper sockets of the analysis probe and are firmly inserted.
- Remove any extra sockets (pin protectors) which may have been added.
- Verify the values of the termination resistors on the target system.

Erratic trace measurements

- ❑ Do a full reset of the target system before beginning the measurement.
- ❑ Ensure that your target system meets the timing requirements of the processor with the analysis probe installed.

See *Capacitive loading* in this chapter. While analysis probe loading is slight, pin protectors, extenders, and adapters may increase it to unacceptable levels. If the target system design has close timing margins, such loading may cause incorrect processor functioning and give erratic trace results.

- ❑ Ensure that you have sufficient cooling for the microprocessor.

Ensure that you have ambient temperature conditions and airflow that meet or exceed the requirements of the microprocessor manufacturer.

Capacitive loading

Excessive capacitive loading can degrade signals, resulting in incorrect capture by the analysis probe, or system lockup in the microprocessor. All analysis probe add additional capacitive loading, as can custom probe fixtures you design for your application.

Careful layout of your target system can minimize loading problems and result in better margins for your design.

- ❑ Remove as many pin protectors, extenders, and adapters as possible.

Data bus is missing

If you do not see any activity on the data bus, it is possible that one or more strobe signals are missing. The strobe signals are not passed directly through the analysis probe, so you may need to probe with an oscilloscope or with a logic analyzer's flying leads to check the signals.

- ❑ If the entire data bus is missing, check that all of the strobe N signals are present.
- ❑ If part of the data bus is missing, check that all of the strobe P signals are present.

Intermodule Measurement Problems

Some problems occur only when you are trying to make a measurement involving multiple modules.

An event wasn't captured by one of the modules

If you are trying to capture an event that occurs very shortly after the event that arms one of the measurement modules, it may be missed due to internal analyzer delays. For example, suppose you set an oscilloscope module to trigger upon receiving a trigger signal from the logic analyzer because you are trying to capture a pulse that occurs right after the analyzer's trigger state. If the pulse occurs too soon after the analyzer's trigger state, the oscilloscope will miss the pulse.

- ❑ Adjust the skew in the Intermodule menu.

You may be able to specify a skew value that enables the event to be captured.

- ❑ Change the trigger specification for modules upstream of the one with the problem.

If you are using a logic analyzer to trigger an oscilloscope module, try specifying a trigger state one state before the one you are using. This may be more difficult than working with the skew because the prior state may occur more often and not always be related to the event you are trying to capture with the oscilloscope.

Analysis Probe Messages

This section lists some of the messages that the analyzer displays when it encounters a problem.

“Measurement Initialization Error”

This error occurs when the cables between the logic analyzer cards are installed incorrectly.

Ensure that your cable connections match the silk screening on the card, and that they are fully seated in the connectors. Then, repeat the measurement.

See Also

The *Agilent Logic Analysis Systems Installation Guide*.

“No Configuration File Loaded”

This is usually caused by trying to load a configuration file for one type of module/system into a different type of module/system.

- ❑ Verify that the appropriate module has been selected from the Load {module} from File {filename} in the disk operation menu. Selecting Load {All} will cause incorrect operation when loading most analysis probe configuration files.

See Also

Chapter 5, “Configuring the Logic Analysis System,” beginning on page 45, describes how to load configuration files.

“Selected File is Incompatible”

This occurs when you try to load a configuration file for the wrong module. Ensure that you are loading the appropriate configuration file for your logic analyzer.

“Slow or Missing Clock”

- ❑ This error message might occur if the logic analyzer cards are not firmly seated in the logic analysis system frame. Ensure that the cards are firmly seated.
 - ❑ This error might occur if the target system is not running properly. Ensure that the target system is on and operating properly.
 - ❑ If the error message persists, check that the logic analyzer pods are connected to the proper connectors on the analysis probe.
-

“Waiting for Trigger”

If a trigger pattern is specified, this message indicates that the specified trigger pattern has not occurred. Verify that the triggering pattern is correctly set.

- ❑ When analyzing microprocessors that fetch only from word-aligned addresses, ensure that the trigger condition is set to look for an opcode fetch at an address corresponding to a word boundary.

Reference

Hardware Reference

This chapter includes additional reference information including the specifications and characteristics of the analysis probe, as well as signal mapping tables.

Analysis probe—operating characteristics

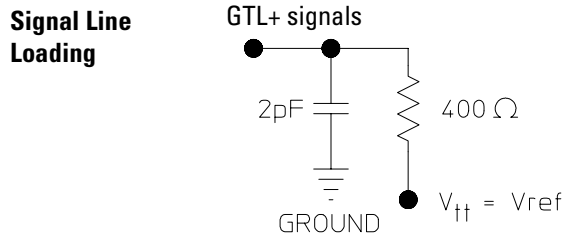
The following operating characteristics are not specifications, but are typical operating characteristics for the Agilent E8034B analysis probe.

Operating Characteristics

Microprocessor Supported	Intel® Xeon™ processor in the 603-pin package
Socket Supported	Lever-actuated sockets only
Clock Frequency	133 MHz maximum (BCLK)
Logic Analyzers Supported	Agilent 16715/16/17/18/19A, 16740/41/42A, or 16750/51/52A logic analyzers in an Agilent 16700-series logic analysis system and expander frame. (See page 25 for supported configurations.)
Analysis Probe Modes	state/clock—expanded mode state/clock—compacted mode
Analysis Probe Cable Length	Approximately 4 feet
Accessories Required	

Electrical Characteristics

Power Requirements 115/230 Vac, 48-66Hz, 1000W power supply is built into the analysis probe. Line selection is autoranging.
 CAT II (Line voltage in appliance and to wall outlet)
 Pollution degree 2



e2496b01

Environmental Characteristics (Operating)

Temperature 20° to + 30° C (+68° to +86° F)

Altitude 4,600 m (15,000 ft)

Humidity Up to 50% noncondensing. Avoid sudden, extreme temperature changes which could cause condensation on the circuit board.
 For indoor use only.

Signal-to-connector mapping

The following table defines the logic analyzer bit assignments.

Key:

Signal: Name of the signal coming from the analysis probe into the logic analysis system.

Phase: Due to the source synchronous nature of the bus, data captured by the logic analyzer in four chunks of 64-bit data. In a four-chunk data transfer, the analysis probe maps each of the 4 phases to a separate set of logic analyzer pins.

Phase	Strobe	Edge
1	P[3:0]	1st falling edge
2	N[3:0]	1st falling edge
3	P[3:0]	2nd falling edge
4	N[3:0]	2nd falling edge

For address signals, each of the 2 phases is mapped to a separate logic analyzer pin:.

Phase	Address strobe
1	falling edge
2	rising edge

Pod-Bit: The logic analyzer pod containing the signal and the bit number of the particular pin on the pod.

Label (Format): Name of the signal coming from the analysis probe into the logic analysis system, as displayed in the Format window or in a Listing window which is connected directly to the 3-card or 5-card machine. Upper-case signal names generally correspond to signals from the processor. Lower-case signal names are generally signals generated by the analysis probe to allow the inverse assembler to properly decode bus activity.

Label (after merge): Name of the signal as displayed in the Listing window after the trace has been processed by the merge tool.

Inverted: Indicates whether a signal on the logic analyzer is inverted with respect to the front side bus signal.

Signal-to-connector mapping**Data signals**

Do not change the setup/hold configuration. For all data signals, setup time is configured as -2.000 ns and hold time as 4.500 ns.

Signals D[63:0]# and DBI[3:0]# are captured by the 5 card Logic Analyzer Machine.

Signal	Phase	Anlayzer Pod-Bit	Label (Format)	Inverted	Label (after merge)	Description
DBI0#	1	J1-16	DBI_P1 (Label Bit 0)	Yes	DBI_1 (Label Bit 0)	Clock J of LA card J
D15#	1	J1-15	D31-00_P1	Yes	D31-00_1	
D14#	1	J1-14	D31-00_P1	Yes	D31-00_1	
D13#	1	J1-13	D31-00_P1	Yes	D31-00_1	
D12#	1	J1-12	D31-00_P1	Yes	D31-00_1	
D11#	1	J1-11	D31-00_P1	Yes	D31-00_1	
D10#	1	J1-10	D31-00_P1	Yes	D31-00_1	
D9#	1	J1-9	D31-00_P1	Yes	D31-00_1	
D8#	1	J1-8	D31-00_P1	Yes	D31-00_1	
D7#	1	J1-7	D31-00_P1	Yes	D31-00_1	
D6#	1	J1-6	D31-00_P1	Yes	D31-00_1	
D5#	1	J1-5	D31-00_P1	Yes	D31-00_1	
D4#	1	J1-4	D31-00_P1	Yes	D31-00_1	
D3#	1	J1-3	D31-00_P1	Yes	D31-00_1	
D2#	1	J1-2	D31-00_P1	Yes	D31-00_1	
D1#	1	J1-1	D31-00_P1	Yes	D31-00_1	
D0#	1	J1-0	D31-00_P1	Yes	D31-00_1	

Signal	Phase	Analyzer Pod-Bit	Label (Format)	Inverted	Label (after merge)	Description
DBI0#	2	J2-16	DBI_P2 (Label Bit 0)	Yes	DBI_2 (Label Bit 0)	Clock K of LA card J
D15#	2	J2-15	D31-00_P2	Yes	D31-00_2	
D14#	2	J2-14	D31-00_P2	Yes	D31-00_2	
D13#	2	J2-13	D31-00_P2	Yes	D31-00_2	
D12#	2	J2-12	D31-00_P2	Yes	D31-00_2	
D11#	2	J2-11	D31-00_P2	Yes	D31-00_2	
D10#	2	J2-10	D31-00_P2	Yes	D31-00_2	
D9#	2	J2-9	D31-00_P2	Yes	D31-00_2	
D8#	2	J2-8	D31-00_P2	Yes	D31-00_2	
D7#	2	J2-7	D31-00_P2	Yes	D31-00_2	
D6#	2	J2-6	D31-00_P2	Yes	D31-00_2	
D5#	2	J2-5	D31-00_P2	Yes	D31-00_2	
D4#	2	J2-4	D31-00_P2	Yes	D31-00_2	
D3#	2	J2-3	D31-00_P2	Yes	D31-00_2	
D2#	2	J2-2	D31-00_P2	Yes	D31-00_2	
D1#	2	J2-1	D31-00_P2	Yes	D31-00_2	
D0#	2	J2-0	D31-00_P2	Yes	D31-00_2	
DBI0#	3	J3-16	DBI_P3 (Label Bit 0)	Yes	DBI_3 (Label Bit 0)	Clock L of LA card J
D15#	3	J3-15	D31-00_P3	Yes	D31-00_3	
D14#	3	J3-14	D31-00_P3	Yes	D31-00_3	
D13#	3	J3-13	D31-00_P3	Yes	D31-00_3	
D12#	3	J3-12	D31-00_P3	Yes	D31-00_3	
D11#	3	J3-11	D31-00_P3	Yes	D31-00_3	
D10#	3	J3-10	D31-00_P3	Yes	D31-00_3	
D9#	3	J3-9	D31-00_P3	Yes	D31-00_3	
D8#	3	J3-8	D31-00_P3	Yes	D31-00_3	
D7#	3	J3-7	D31-00_P3	Yes	D31-00_3	
D6#	3	J3-6	D31-00_P3	Yes	D31-00_3	
D5#	3	J3-5	D31-00_P3	Yes	D31-00_3	
D4#	3	J3-4	D31-00_P3	Yes	D31-00_3	
D3#	3	J3-3	D31-00_P3	Yes	D31-00_3	
D2#	3	J3-2	D31-00_P3	Yes	D31-00_3	
D1#	3	J3-1	D31-00_P3	Yes	D31-00_3	
D0#	3	J3-0	D31-00_P3	Yes	D31-00_3	

Hardware Reference
Signal-to-connector mapping

Signal	Phase	Analyzer Pod-Bit	Label (Format)	Inverted	Label (after merge)	Description
DBI0#	4	J4-16	DBI_P4 (Label Bit 0)	Yes	DBI_4 (Label Bit 0)	Clock M of LA card J
D15#	4	J4-15	D31-00_P4	Yes	D31-00_4	
D14#	4	J4-14	D31-00_P4	Yes	D31-00_4	
D13#	4	J4-13	D31-00_P4	Yes	D31-00_4	
D12#	4	J4-12	D31-00_P4	Yes	D31-00_4	
D11#	4	J4-11	D31-00_P4	Yes	D31-00_4	
D10#	4	J4-10	D31-00_P4	Yes	D31-00_4	
D9#	4	J4-9	D31-00_P4	Yes	D31-00_4	
D8#	4	J4-8	D31-00_P4	Yes	D31-00_4	
D7#	4	J4-7	D31-00_P4	Yes	D31-00_4	
D6#	4	J4-6	D31-00_P4	Yes	D31-00_4	
D5#	4	J4-5	D31-00_P4	Yes	D31-00_4	
D4#	4	J4-4	D31-00_P4	Yes	D31-00_4	
D3#	4	J4-3	D31-00_P4	Yes	D31-00_4	
D2#	4	J4-2	D31-00_P4	Yes	D31-00_4	
D1#	4	J4-1	D31-00_P4	Yes	D31-00_4	
D0#	4	J4-0	D31-00_P4	Yes	D31-00_4	
DBI1#	1	I1-16	DBI_P1 (Label Bit 1)	Yes	DBI_1 (label Bit 1)	Clock J of LA card I
D31#	1	I1-15	D31-00_P1	Yes	D31-00_1	
D30#	1	I1-14	D31-00_P1	Yes	D31-00_1	
D29#	1	I1-13	D31-00_P1	Yes	D31-00_1	
D28#	1	I1-12	D31-00_P1	Yes	D31-00_1	
D27#	1	I1-11	D31-00_P1	Yes	D31-00_1	
D26#	1	I1-10	D31-00_P1	Yes	D31-00_1	
D25#	1	I1-9	D31-00_P1	Yes	D31-00_1	
D24#	1	I1-8	D31-00_P1	Yes	D31-00_1	
D23#	1	I1-7	D31-00_P1	Yes	D31-00_1	
D22#	1	I1-6	D31-00_P1	Yes	D31-00_1	
D21#	1	I1-5	D31-00_P1	Yes	D31-00_1	
D20#	1	I1-4	D31-00_P1	Yes	D31-00_1	
D19#	1	I1-3	D31-00_P1	Yes	D31-00_1	
D18#	1	I1-2	D31-00_P1	Yes	D31-00_1	
D17#	1	I1-1	D31-00_P1	Yes	D31-00_1	
D16#	1	I1-0	D31-00_P1	Yes	D31-00_1	

Signal	Phase	Anlayzer Pod-Bit	Label (Format)	Inverted	Label (after merge)	Description
DBI1#	2	I2-16	DBI_P2 (Label Bit 1)	Yes	DBI_2 (Label Bit 1)	Clock K of LA card I
D31#	2	I2-15	D31-00_P2	Yes	D31-00_2	
D30#	2	I2-14	D31-00_P2	Yes	D31-00_2	
D29#	2	I2-13	D31-00_P2	Yes	D31-00_2	
D28#	2	I2-12	D31-00_P2	Yes	D31-00_2	
D27#	2	I2-11	D31-00_P2	Yes	D31-00_2	
D26#	2	I2-10	D31-00_P2	Yes	D31-00_2	
D25#	2	I2-9	D31-00_P2	Yes	D31-00_2	
D24#	2	I2-8	D31-00_P2	Yes	D31-00_2	
D23#	2	I2-7	D31-00_P2	Yes	D31-00_2	
D22#	2	I2-6	D31-00_P2	Yes	D31-00_2	
D21#	2	I2-5	D31-00_P2	Yes	D31-00_2	
D20#	2	I2-4	D31-00_P2	Yes	D31-00_2	
D19#	2	I2-3	D31-00_P2	Yes	D31-00_2	
D18#	2	I2-2	D31-00_P2	Yes	D31-00_2	
D17#	2	I2-1	D31-00_P2	Yes	D31-00_2	
D16#	2	I2-0	D31-00_P2	Yes	D31-00_2	
DBI1#	3	I3-16	DBI_P3 (Label Bit 1)	Yes	DBI_3 (Label Bit 1)	Clock L of LA card I
D31#	3	I3-15	D31-00_P3	Yes	D31-00_3	
D30#	3	I3-14	D31-00_P3	Yes	D31-00_3	
D29#	3	I3-13	D31-00_P3	Yes	D31-00_3	
D28#	3	I3-12	D31-00_P3	Yes	D31-00_3	
D27#	3	I3-11	D31-00_P3	Yes	D31-00_3	
D26#	3	I3-10	D31-00_P3	Yes	D31-00_3	
D25#	3	I3-9	D31-00_P3	Yes	D31-00_3	
D24#	3	I3-8	D31-00_P3	Yes	D31-00_3	
D23#	3	I3-7	D31-00_P3	Yes	D31-00_3	
D22#	3	I3-6	D31-00_P3	Yes	D31-00_3	
D21#	3	I3-5	D31-00_P3	Yes	D31-00_3	
D20#	3	I3-4	D31-00_P3	Yes	D31-00_3	
D19#	3	I3-3	D31-00_P3	Yes	D31-00_3	
D18#	3	I3-2	D31-00_P3	Yes	D31-00_3	
D17#	3	I3-1	D31-00_P3	Yes	D31-00_3	
D16#	3	I3-0	D31-00_P3	Yes	D31-00_3	

Hardware Reference
Signal-to-connector mapping

Signal	Phase	Anlayzer Pod-Bit	Label (Format)	Inverted	Label (after merge)	Description
DBI1#	4	I4-16	DBI_P4 (Label Bit 1)	Yes	DBI_4 (Label Bit 1)	Clock M of LA card I
D31#	4	I4-15	D31-00_P4	Yes	D31-00_4	
D30#	4	I4-14	D31-00_P4	Yes	D31-00_4	
D29#	4	I4-13	D31-00_P4	Yes	D31-00_4	
D28#	4	I4-12	D31-00_P4	Yes	D31-00_4	
D27#	4	I4-11	D31-00_P4	Yes	D31-00_4	
D26#	4	I4-10	D31-00_P4	Yes	D31-00_4	
D25#	4	I4-9	D31-00_P4	Yes	D31-00_4	
D24#	4	I4-8	D31-00_P4	Yes	D31-00_4	
D23#	4	I4-7	D31-00_P4	Yes	D31-00_4	
D22#	4	I4-6	D31-00_P4	Yes	D31-00_4	
D21#	4	I4-5	D31-00_P4	Yes	D31-00_4	
D20#	4	I4-4	D31-00_P4	Yes	D31-00_4	
D19#	4	I4-3	D31-00_P4	Yes	D31-00_4	
D18#	4	I4-2	D31-00_P4	Yes	D31-00_4	
D17#	4	I4-1	D31-00_P4	Yes	D31-00_4	
D16#	4	I4-0	D31-00_P4	Yes	D31-00_4	
DBI2#	1	G1-16	DBI_P1 (Label Bit 2)	Yes	DBI_1 (Label Bit 2)	Clock J of LA card G
D47#	1	G1-15	D63-32_P1	Yes	D63-32_1	
D46#	1	G1-14	D63-32_P1	Yes	D63-32_1	
D45#	1	G1-13	D63-32_P1	Yes	D63-32_1	
D44#	1	G1-12	D63-32_P1	Yes	D63-32_1	
D43#	1	G1-11	D63-32_P1	Yes	D63-32_1	
D42#	1	G1-10	D63-32_P1	Yes	D63-32_1	
D41#	1	G1-9	D63-32_P1	Yes	D63-32_1	
D40#	1	G1-8	D63-32_P1	Yes	D63-32_1	
D39#	1	G1-7	D63-32_P1	Yes	D63-32_1	
D38#	1	G1-6	D63-32_P1	Yes	D63-32_1	
D37#	1	G1-5	D63-32_P1	Yes	D63-32_1	
D36#	1	G1-4	D63-32_P1	Yes	D63-32_1	
D35#	1	G1-3	D63-32_P1	Yes	D63-32_1	
D34#	1	G1-2	D63-32_P1	Yes	D63-32_1	
D33#	1	G1-1	D63-32_P1	Yes	D63-32_1	
D32#	1	G1-0	D63-32_P1	Yes	D63-32_1	

Signal	Phase	Anlayzer Pod-Bit	Label (Format)	Inverted	Label (after merge)	Description
DBI2#	2	G2-16	DBI_P2 (Label Bit 2)	Yes	DBI_2 (Label Bit 2)	Clock K of LA card G
D47#	2	G2-15	D63-32_P2	Yes	D63-32_2	
D46#	2	G2-14	D63-32_P2	Yes	D63-32_2	
D45#	2	G2-13	D63-32_P2	Yes	D63-32_2	
D44#	2	G2-12	D63-32_P2	Yes	D63-32_2	
D43#	2	G2-11	D63-32_P2	Yes	D63-32_2	
D42#	2	G2-10	D63-32_P2	Yes	D63-32_2	
D41#	2	G2-9	D63-32_P2	Yes	D63-32_2	
D40#	2	G2-8	D63-32_P2	Yes	D63-32_2	
D39#	2	G2-7	D63-32_P2	Yes	D63-32_2	
D38#	2	G2-6	D63-32_P2	Yes	D63-32_2	
D37#	2	G2-5	D63-32_P2	Yes	D63-32_2	
D36#	2	G2-4	D63-32_P2	Yes	D63-32_2	
D35#	2	G2-3	D63-32_P2	Yes	D63-32_2	
D34#	2	G2-2	D63-32_P2	Yes	D63-32_2	
D33#	2	G2-1	D63-32_P2	Yes	D63-32_2	
D32#	2	G2-0	D63-32_P2	Yes	D63-32_2	
DBI2#	3	G3-16	DBI_P3 (Label Bit 2)	Yes	DBI_3 (Label Bit 2)	Clock L of LA card G
D47#	3	G3-15	D63-32_P3	Yes	D63-32_3	
D46#	3	G3-14	D63-32_P3	Yes	D63-32_3	
D45#	3	G3-13	D63-32_P3	Yes	D63-32_3	
D44#	3	G3-12	D63-32_P3	Yes	D63-32_3	
D43#	3	G3-11	D63-32_P3	Yes	D63-32_3	
D42#	3	G3-10	D63-32_P3	Yes	D63-32_3	
D41#	3	G3-9	D63-32_P3	Yes	D63-32_3	
D40#	3	G3-8	D63-32_P3	Yes	D63-32_3	
D39#	3	G3-7	D63-32_P3	Yes	D63-32_3	
D38#	3	G3-6	D63-32_P3	Yes	D63-32_3	
D37#	3	G3-5	D63-32_P3	Yes	D63-32_3	
D36#	3	G3-4	D63-32_P3	Yes	D63-32_3	
D35#	3	G3-3	D63-32_P3	Yes	D63-32_3	
D34#	3	G3-2	D63-32_P3	Yes	D63-32_3	
D33#	3	G3-1	D63-32_P3	Yes	D63-32_3	
D32#	3	G3-0	D63-32_P3	Yes	D63-32_3	

Hardware Reference
Signal-to-connector mapping

Signal	Phase	Analyzer Pod-Bit	Label (Format)	Inverted	Label (after merge)	Description
DBI2#	4	G4-16	DBI_P4 (Label Bit 2)	Yes	DBI_4 (Label Bit 2)	Clock M of LA card G
D47#	4	G4-15	D63-32_P4	Yes	D63-32_4	
D46#	4	G4-14	D63-32_P4	Yes	D63-32_4	
D45#	4	G4-13	D63-32_P4	Yes	D63-32_4	
D44#	4	G4-12	D63-32_P4	Yes	D63-32_4	
D43#	4	G4-11	D63-32_P4	Yes	D63-32_4	
D42#	4	G4-10	D63-32_P4	Yes	D63-32_4	
D41#	4	G4-9	D63-32_P4	Yes	D63-32_4	
D40#	4	G4-8	D63-32_P4	Yes	D63-32_4	
D39#	4	G4-7	D63-32_P4	Yes	D63-32_4	
D38#	4	G4-6	D63-32_P4	Yes	D63-32_4	
D37#	4	G4-5	D63-32_P4	Yes	D63-32_4	
D36#	4	G4-4	D63-32_P4	Yes	D63-32_4	
D35#	4	G4-3	D63-32_P4	Yes	D63-32_4	
D34#	4	G4-2	D63-32_P4	Yes	D63-32_4	
D33#	4	G4-1	D63-32_P4	Yes	D63-32_4	
D32#	4	G4-0	D63-32_P4	Yes	D63-32_4	
DBI3#	1	F1-16	DBI_P1 (Label Bit 3)	Yes	DBI_1 (Label Bit 3)	Clock J of LA card F
D63#	1	F1-15	D63-32_P1	Yes	D63-32_1	
D62#	1	F1-14	D63-32_P1	Yes	D63-32_1	
D61#	1	F1-13	D63-32_P1	Yes	D63-32_1	
D60#	1	F1-12	D63-32_P1	Yes	D63-32_1	
D59#	1	F1-11	D63-32_P1	Yes	D63-32_1	
D58#	1	F1-10	D63-32_P1	Yes	D63-32_1	
D57#	1	F1-9	D63-32_P1	Yes	D63-32_1	
D56#	1	F1-8	D63-32_P1	Yes	D63-32_1	
D55#	1	F1-7	D63-32_P1	Yes	D63-32_1	
D54#	1	F1-6	D63-32_P1	Yes	D63-32_1	
D53#	1	F1-5	D63-32_P1	Yes	D63-32_1	
D52#	1	F1-4	D63-32_P1	Yes	D63-32_1	
D51#	1	F1-3	D63-32_P1	Yes	D63-32_1	
D50#	1	F1-2	D63-32_P1	Yes	D63-32_1	
D49#	1	F1-1	D63-32_P1	Yes	D63-32_1	
D48#	1	F1-0	D63-32_P1	Yes	D63-32_1	

Signal	Phase	Analyzer Pod-Bit	Label (Format)	Inverted	Label (after merge)	Description
DBI3#	2	F2-16	DBI_P2 (Label Bit 3)	Yes	DBI_2 (Label Bit 3)	Clock K of LA card F
D63#	2	F2-15	D63-32_P2	Yes	D63-32_2	
D62#	2	F2-14	D63-32_P2	Yes	D63-32_2	
D61#	2	F2-13	D63-32_P2	Yes	D63-32_2	
D60#	2	F2-12	D63-32_P2	Yes	D63-32_2	
D59#	2	F2-11	D63-32_P2	Yes	D63-32_2	
D58#	2	F2-10	D63-32_P2	Yes	D63-32_2	
D57#	2	F2-9	D63-32_P2	Yes	D63-32_2	
D56#	2	F2-8	D63-32_P2	Yes	D63-32_2	
D55#	2	F2-7	D63-32_P2	Yes	D63-32_2	
D54#	2	F2-6	D63-32_P2	Yes	D63-32_2	
D53#	2	F2-5	D63-32_P2	Yes	D63-32_2	
D52#	2	F2-4	D63-32_P2	Yes	D63-32_2	
D51#	2	F2-3	D63-32_P2	Yes	D63-32_2	
D50#	2	F2-2	D63-32_P2	Yes	D63-32_2	
D49#	2	F2-1	D63-32_P2	Yes	D63-32_2	
D48#	2	F2-0	D63-32_P2	Yes	D63-32_2	
DBI3#	3	F3-16	DBI_P3 (Label Bit 3)	Yes	DBI_3 (Label Bit 3)	Clock L of LA card F
D63#	3	F3-15	D63-32_P3	Yes	D63-32_3	
D62#	3	F3-14	D63-32_P3	Yes	D63-32_3	
D61#	3	F3-13	D63-32_P3	Yes	D63-32_3	
D60#	3	F3-12	D63-32_P3	Yes	D63-32_3	
D59#	3	F3-11	D63-32_P3	Yes	D63-32_3	
D58#	3	F3-10	D63-32_P3	Yes	D63-32_3	
D57#	3	F3-9	D63-32_P3	Yes	D63-32_3	
D56#	3	F3-8	D63-32_P3	Yes	D63-32_3	
D55#	3	F3-7	D63-32_P3	Yes	D63-32_3	
D54#	3	F3-6	D63-32_P3	Yes	D63-32_3	
D53#	3	F3-5	D63-32_P3	Yes	D63-32_3	
D52#	3	F3-4	D63-32_P3	Yes	D63-32_3	
D51#	3	F3-3	D63-32_P3	Yes	D63-32_3	
D50#	3	F3-2	D63-32_P3	Yes	D63-32_3	
D49#	3	F3-1	D63-32_P3	Yes	D63-32_3	
D48#	3	F3-0	D63-32_P3	Yes	D63-32_3	

Hardware Reference
Signal-to-connector mapping

Signal	Phase	Anlayzer Pod-Bit	Label (Format)	Inverted	Label (after merge)	Description
DBI3#	4	F4-16	DBI_P4 (Label Bit 3)	Yes	DBI_4 (Label Bit 3)	Clock M of LA card F
D63#	4	F4-15	D63-32_P4	Yes	D63-32_4	
D62#	4	F4-14	D63-32_P4	Yes	D63-32_4	
D61#	4	F4-13	D63-32_P4	Yes	D63-32_4	
D60#	4	F4-12	D63-32_P4	Yes	D63-32_4	
D59#	4	F4-11	D63-32_P4	Yes	D63-32_4	
D58#	4	F4-10	D63-32_P4	Yes	D63-32_4	
D57#	4	F4-9	D63-32_P4	Yes	D63-32_4	
D56#	4	F4-8	D63-32_P4	Yes	D63-32_4	
D55#	4	F4-7	D63-32_P4	Yes	D63-32_4	
D54#	4	F4-6	D63-32_P4	Yes	D63-32_4	
D53#	4	F4-5	D63-32_P4	Yes	D63-32_4	
D52#	4	F4-4	D63-32_P4	Yes	D63-32_4	
D51#	4	F4-3	D63-32_P4	Yes	D63-32_4	
D50#	4	F4-2	D63-32_P4	Yes	D63-32_4	
D49#	4	F4-1	D63-32_P4	Yes	D63-32_4	
D48#	4	F4-0	D63-32_P4	Yes	D63-32_4	
		H1-16	Common Strobe			Strobe Clock Generated by Analysis Probe
Following signals are generated by analysis probe and are used by the analysis probe software only.						
GC_DATA		H2-15 thru H2-1				
Following Signal Labels are defined by in the Format window for use by the analysis probe software only:						
STAT2						

Address Signals

Do not change the setup/hold configuration. For address signals, setup time is configured as -3.500 ns and hold time as -1.000 ns.

Address A[35:3] signals are captured by the 3 card Analyzer Machine:

A2, A1, A0 are set to logic 0 on the analysis probe to aid in triggering on address.

Signal	Phase	Pod-Bit	Label (Format)	Inverted	Label (after merge)	Description
A35#	1	C4-15	A35-32_1	Yes	A35-32_1	
A34#	1	C4-14	A35-32_1	Yes	A35-32_1	
A33#	1	C4-13	A35-32_1	Yes	A35-32_1	
A32#	1	C4-12	A35-32_1	Yes	A35-32_1	
A35#	2	C4-11	A35-32_2	Yes	A35-32_2	
A34#	2	C4-10	A35-32_2	Yes	A35-32_2	
A33#	2	C4-9	A35-32_2	Yes	A35-32_2	
A32#	2	C4-8	A35-32_2	Yes	A35-32_2	

Hardware Reference
Signal-to-connector mapping

Signal	Phase	Pod-Bit	Label (Format)	Inverted	Label (after merge)	Description
A15#	1	E1-16	A31-00_1	Yes	A31-00_1	
A14#	1	E1-15	A31-00_1	Yes	A31-00_1	
A13#	1	E1-14	A31-00_1	Yes	A31-00_1	
A12#	1	E1-13	A31-00_1	Yes	A31-00_1	
A11#	1	E1-12	A31-00_1	Yes	A31-00_1	
A10#	1	E1-11	A31-00_1	Yes	A31-00_1	
A9#	1	E1-10	A31-00_1	Yes	A31-00_1	
A8#	1	E1-9	A31-00_1	Yes	A31-00_1	
A7#	1	E1-8	A31-00_1	Yes	A31-00_1	
A6#	1	E1-7	A31-00_1	Yes	A31-00_1	
A5#	1	E1-6	A31-00_1	Yes	A31-00_1	
A4#	1	E1-5	A31-00_1	Yes	A31-00_1	
A3#	1	E1-4	A31-00_1	Yes	A31-00_1	
	1	E1-3	A31-00_1	Yes		(A2 SET TO LOGIC 0, GENERATED BY LAI)
	1	E1-2	A31-00_1	Yes		(A1 SET TO LOGIC 0, GENERATED BY LAI)
	1	E1-1	A31-00_1	Yes		(A0 SET TO LOGIC 0, GENERATED BY LAI)
A31#	1	E2-15	A31-00_1	Yes	A31-00_1	
A30#	1	E2-14	A31-00_1	Yes	A31-00_1	
A29#	1	E2-13	A31-00_1	Yes	A31-00_1	
A28#	1	E2-12	A31-00_1	Yes	A31-00_1	
A27#	1	E2-11	A31-00_1	Yes	A31-00_1	
A26#	1	E2-10	A31-00_1	Yes	A31-00_1	
A25#	1	E2-9	A31-00_1	Yes	A31-00_1	
A24#	1	E2-8	A31-00_1	Yes	A31-00_1	
A23#	1	E2-7	A31-00_1	Yes	A31-00_1	
A22#	1	E2-6	A31-00_1	Yes	A31-00_1	
A21#	1	E2-5	A31-00_1	Yes	A31-00_1	
A20#	1	E2-4	A31-00_1	Yes	A31-00_1	
A19#	1	E2-3	A31-00_1	Yes	A31-00_1	
A18#	1	E2-2	A31-00_1	Yes	A31-00_1	
A17#	1	E2-1	A31-00_1	Yes	A31-00_1	
A16#	1	E2-0	A31-00_1	Yes	A31-00_1	

Signal	Phase	Pod-Bit	Label (Format)	Inverted	Label (after merge)	Description
A15#	2	E3-16	A31-00_2	Yes	A31-00_2	
A14#	2	E3-15	A31-00_2	Yes	A31-00_2	
A13#	2	E3-14	A31-00_2	Yes	A31-00_2	
A12#	2	E3-13	A31-00_2	Yes	A31-00_2	
A11#	2	E3-12	A31-00_2	Yes	A31-00_2	
A10#	2	E3-11	A31-00_2	Yes	A31-00_2	
A9#	2	E3-10	A31-00_2	Yes	A31-00_2	
A8#	2	E3-9	A31-00_2	Yes	A31-00_2	
A7#	2	E3-8	A31-00_2	Yes	A31-00_2	
A6#	2	E3-7	A31-00_2	Yes	A31-00_2	
A5#	2	E3-6	A31-00_2	Yes	A31-00_2	
A4#	2	E3-5	A31-00_2	Yes	A31-00_2	
A3#	2	E3-4	A31-00_2	Yes	A31-00_2	
	2	E3-3	A31-00_2	Yes		(A2 SET TO LOGIC 0, GENERATED BY LAI)
	2	E3-2	A31-00_2	Yes		(A1 SET TO LOGIC 0, GENERATED BY LAI)
	2	E3-1	A31-00_2	Yes		(A0 SET TO LOGIC 0, GENERATED BY LAI)
A31#	2	E4-16	A31-00_2	Yes	A31-00_2	
A30#	2	E4-15	A31-00_2	Yes	A31-00_2	
A29#	2	E4-14	A31-00_2	Yes	A31-00_2	
A28#	2	E4-13	A31-00_2	Yes	A31-00_2	
A27#	2	E4-12	A31-00_2	Yes	A31-00_2	
A26#	2	E4-11	A31-00_2	Yes	A31-00_2	
A25#	2	E4-10	A31-00_2	Yes	A31-00_2	
A24#	2	E4-9	A31-00_2	Yes	A31-00_2	
A23#	2	E4-8	A31-00_2	Yes	A31-00_2	
A22#	2	E4-7	A31-00_2	Yes	A31-00_2	
A21#	2	E4-6	A31-00_2	Yes	A31-00_2	
A20#	2	E4-5	A31-00_2	Yes	A31-00_2	
A19#	2	E4-4	A31-00_2	Yes	A31-00_2	
A18#	2	E4-3	A31-00_2	Yes	A31-00_2	
A17#	2	E4-2	A31-00_2	Yes	A31-00_2	
A16#	2	E4-1	A31-00_2	Yes	A31-00_2	

Signal-to-connector mapping**Control Signals**

Do not change the setup/hold configuration. For most control signals, setup time is configured as 3.500 ns and hold time as -1.000 ns. The signals generated by the analysis probe use setup=2.500 ns and hold=0. The GC_ADDR signals use setup=1.000 ns and hold=1.500 ns.

Signal	Pod-Bit	Label (Format)	Inverted	Label (after merge)	Description
The following control signals are captured on the processor front side bus:					
PROCHOT#	D1-16	PROCHOT#	No	PROCHOT#	Clock J of LA card D
BPRI#	D1-15	BPRI#	No	BPRI#	
BR2#	D1-14	BR# (Label Bit 2)	No	BR# (Label Bit 2)	
BR1#	D1-13	BR# (Label Bit 1)	No	BR# (Label Bit 1)	
BR3#	D1-12	BR# (Label Bit 3)	No	BR# (Label Bit 3)	
BR0#	D1-11	BR# (Label Bit 0)	No	BR# (Label Bit 0)	
BNR#	D1-10	BNR#	No	BNR#	
IGNNE#	D1-9	IGNNE#	No	IGNNE#	
SMI#	D1-8	SMI#	No	SMI#	
INIT#	D1-7	INIT#	No	INIT#	
A20M#	D1-6	A20M#	No	A20M#	
BPM5#	D1-5	BPM# (Label Bit 5)	No	BPM# (Label Bit 5)	
BPM4#	D1-4	BPM# (Label Bit 4)	No	BPM# (Label Bit 4)	
BPM3#	D1-3	BPM# (Label Bit 3)	No	BPM# (Label Bit 3)	
BPM1#	D1-2	BPM# (Label Bit 1)	No	BPM# (Label Bit 1)	
BPM0#	D1-1	BPM# (Label Bit 0)	No	BPM# (Label Bit 0)	
BPM2#	D1-0	BPM# (Label Bit 2)	No	BPM# (Label Bit 2)	

Signal	Pod-Bit	Label (Format)	Inverted	Label (after merge)	Description
AP1#	D2-15	AP1#	No	AP1#	
AP0#	D2-14	AP0#	No	AP0#	
RESET#	D2-13	RESET#	No	RESET#	
BINIT#	D2-12	BINIT#	No	BINIT#	
RSP#	D2-11	RSP#	No	RSP#	
RS2#	D2-10	RS2#	No	RS2#	
RS1#	D2-9	RS1#	No	RS1#	
RS0#	D2-8	RS0#	No	RS0#	
ADS#	D2-7	ADS#	No	ADS#	
MCERR#	D2-6	MCERR#	No	MCERR#	
TRDY#	D2-5	TRDY#	No	TRDY#	
DRDY#	D2-4	DRDY#	No	DRDY#	
DBSY#	D2-3	DBSY#	No	DBSY#	
DEFER#	D2-2	DEFER#	No	DEFER#	
HIT#	D2-1	HIT#	No	HIT#	
HITM#	D2-0	HITM#	No	HITM#	
THRMTRIP#	C3-16	THRMTRIP#	No	THRMTRIP#	Clock L of LA card C
LINT1/NMI	C3-15	LINT1/NMI	No	LINT1/NMI	
LINT0/INTR	C3-14	LINT0/INTR	No	LINT0/INTR	
SLP#	C3-13	SLP#	No	SLP#	
STPCLK#	C3-12	STPCLK#	No	STPCLK#	
LOCK#	C3-11	LOCK#	No	LOCK#	
TDI	C3-10	TDI	No	TDI	
TDO	C3-9	TDO	No	TDO	
TCK	C3-8	TCK	No	TCK	
TMS	C3-7	TMS	No	TMS	
IERR#	C3-6	IERR#	No	IERR#	
FERR#	C3-5	FERR#	No	FERR#	
TRST#	C3-4	TRST#	No	TRST#	
DP3#	C3-3	DP3#	No	DP3#	
DP2#	C3-2	DP2#	No	DP2#	
DP1#	C3-1	DP1#	No	DP1#	
DPO#	C3-0	DPO#	No	DPO#	

Hardware Reference
Signal-to-connector mapping

Signal	Pod-Bit	Label (Format)	Inverted	Label (after merge)	Description
The following signals are generated by the analysis probe for use by the software only:					
cqual2#	D3-16	Not defined in Format window	N/A	Not Defined	Clock L of LA card D. (cqual1# AND cqual2#) is displayed as Cqual# label
ppmode	D3-15	ppmode	N/A	ppmode	Tells SW that analysis probe is in compact or expanded mode
-	D3-14	-	N/A	-	
DB_IDLE	D3-4	DB_IDLE	N/A	DB_IDLE	Agilent use only
-	D3-3	-	N/A	-	
-	D3-2	-	N/A	-	
cqual1#	D4-16	Not defined in Format window	N/A	Not Defined	Clock M of LA card D
GC_ADDR[15]	D4-15	GC_ADDR	N/A	GC_ADDR	
GC_ADDR[14]	D4-14	GC_ADDR	N/A	GC_ADDR	
GC_ADDR[13]	D4-13	GC_ADDR	N/A	GC_ADDR	
GC_ADDR[12]	D4-12	GC_ADDR	N/A	GC_ADDR	
GC_ADDR[11]	D4-11	GC_ADDR	N/A	GC_ADDR	
GC_ADDR[10]	D4-10	GC_ADDR	N/A	GC_ADDR	
GC_ADDR[9]	D4-9	GC_ADDR	N/A	GC_ADDR	
GC_ADDR[8]	D4-8	GC_ADDR	N/A	GC_ADDR	See page 55 for description
GC_ADDR[7]	D4-7	GC_ADDR	N/A	GC_ADDR	
GC_ADDR[6]	D4-6	GC_ADDR	N/A	GC_ADDR	
GC_ADDR[5]	D4-5	GC_ADDR	N/A	GC_ADDR	
GC_ADDR[4]	D4-4	GC_ADDR	N/A	GC_ADDR	
GC_ADDR[3]	D4-3	GC_ADDR	N/A	GC_ADDR	
GC_ADDR[2]	D4-2	GC_ADDR	N/A	GC_ADDR	
GC_ADDR[1]	D4-1	GC_ADDR	N/A	GC_ADDR	
GC_ADDR[0]	D4-0	GC_ADDR	N/A	GC_ADDR	

General-Purpose ASCII (GPA) Symbol File Format

This chapter is a guide to the General-purpose ASCII format, which allows you to create symbol files without the help of a compiler or assembler.

General-Purpose ASCII (GPA) Symbol File Format

General-purpose ASCII (GPA) format files are loaded into a logic analyzer just like other object files, but they are usually created differently.

If your compiler does not include symbol information in the output, or if you want to define a symbol not in the object file, you can create an ASCII format symbol file.

Typically, ASCII format symbol files are created using text processing tools to convert compiler or linker map file output that has symbolic information into the proper format.

You can typically get symbol table information from a linker map file to create a General-Purpose ASCII (GPA) symbol file.

Various kinds of symbols are defined in different records in the GPA file. Record headers are enclosed in square brackets; for example, [VARIABLES]. For a summary of GPA file records and associated symbol definition syntax, refer to the “GPA Record Format Summary” that follows.

Each entry in the symbol file must consist of a symbol name followed by an address or address range.

While symbol names can be very long, the logic analyzer only uses the first 16 characters.

The address or address range corresponding to a given symbol appears as a hexadecimal number. The address or address range must immediately follow the symbol name, appear on the same line, and be separated from the symbol name by one or more blank spaces or tabs. Ensure that address ranges are in the following format:

```
beginning address..ending address
```

Example

```
main      00001000..00001009
test      00001010..0000101F
var1      00001E22           #this is a variable
```

This example defines two symbols that correspond to address ranges and one point symbol that corresponds to a single address.

For more detailed descriptions of GPA file records and associated symbol definition syntax, refer to these topics that follow:

- SECTIONS
- FUNCTIONS
- VARIABLES
- SOURCE LINES
- START ADDRESS
- Comments

GPA Record Format Summary

```
[SECTIONS]
section_name start..end attribute
```

```
[FUNCTIONS]
func_name start..end
```

```
[VARIABLES]
var_name start [size]
var_name start..end
```

```
[SOURCE LINES]
File: file_name
line# address
```

```
[START ADDRESS]
address
```

#Comments

If no record header is specified, [VARIABLES] is assumed. Lines without a preceding header are assumed to be symbol definitions in one of the VARIABLES formats.

Example

This is an example GPA file that contains several different kinds of records:

```
[SECTIONS]
prog      00001000..0000101F
data      40002000..40009FFF
common    FFFF0000..FFFF1000
```

```
[FUNCTIONS]
main      00001000..00001009
test      00001010..0000101F
```

```
[VARIABLES]
total     40002000  4
value     40008000  4
```

```
[SOURCE LINES]
File: main.c
10      00001000
11      00001002
14      0000100A
22      0000101E

File: test.c
5       00001010
7       00001012
11      0000101A
```

SECTIONS

```
[SECTIONS]
section_name start..end attribute
```

Use SECTIONS to define symbols for regions of memory, such as sections, segments, or classes.

`section_name` A symbol representing the name of the section.

`start` The first address of the section, in hexadecimal.

`end` The last address of the section, in hexadecimal.

`attribute` This is optional, and may be one of the following:

- **NORMAL** (default)—The section is a normal, relocatable section, such as code or data.
- **NONRELOC**—The section contains variables or code that cannot be relocated; this is an absolute segment.

Define sections first

To enable section relocation, section definitions must appear before any other definitions in the file.

Example

```
[SECTIONS]
prog          00001000..00001FFF
data         00002000..00003FFF
display_io   00008000..0000801F  NONRELOC
```

If you use section definitions in a GPA symbol file, any subsequent function or variable definitions must be within the address ranges of one of the defined sections. Functions and variables that are not within the range are ignored.

FUNCTIONS

```
[FUNCTIONS]
func_name start..end
```

Use FUNCTIONS to define symbols for program functions, procedures, or subroutines.

`func_name` A symbol representing the function name.

`start` The first address of the function, in hexadecimal.

`end` The last address of the function, in hexadecimal.

Example

```
[FUNCTIONS]
main      00001000..00001009
test     00001010..0000101F
```

VARIABLES

```
[VARIABLES]
var_name  start [size]
var_name  start..end
```

You can specify symbols for variables either by using the address of the variable, the address and the size of the variable, or a range of addresses occupied by the variable. If you specify only the address of a variable, the size is assumed to be one byte.

var_name A symbol representing the variable name.

start The first address of the variable, in hexadecimal.

end The last address of the variable, in hexadecimal.

size This is optional, and indicates the size of the variable, in bytes, in decimal.

Example

```
[VARIABLES]
subtotal  40002000  4
total     40002004  4
data_array 40003000..4000302F
status_char 40002345
```

SOURCE LINES

```
[SOURCE LINES]
File: file_name
line#  address
```

Use SOURCE LINES to associate addresses with lines in your source files.

`file_name` The name of a file.

`line#` The number of a line in the file, in decimal.

`address` The address of the source line, in hexadecimal.

Example

```
[SOURCE LINES]
File: main.c
10      00001000
11      00001002
14      0000100A
22      0000101E
```

START ADDRESS

```
[START ADDRESS]  
address
```

address The address of the program entry point, in hexadecimal.

Example

```
[START ADDRESS]  
00001000
```

Comments

```
#comment text
```

Use the # character to include comments in a file. Any text following the # character is ignored. You can put comments on a line alone or on the same line following a symbol entry.

Example

```
#This is a comment.
```

Service Guide

Replacing the Interposer

To connect the analysis probe to the interposer

This section shows how to connect the cables from the analysis probe to the connectors on the interposer. Normally, the interposer should remain connected to the analysis probe. You may need to reconnect the cables, however, if you are replacing a damaged interposer.

Note that an either an E8034A tool-actuated interposer or an E8043B lever-actuated interposer can be used with the E8034B analysis probe without recalibrating the system.

CAUTION:

Do not kink the analysis probe cables. Kinking the analysis probe cables will change the calibration, and the analysis probe will have to be returned for repair and recalibration.

- Use the analysis probe which was shipped with the interposer.

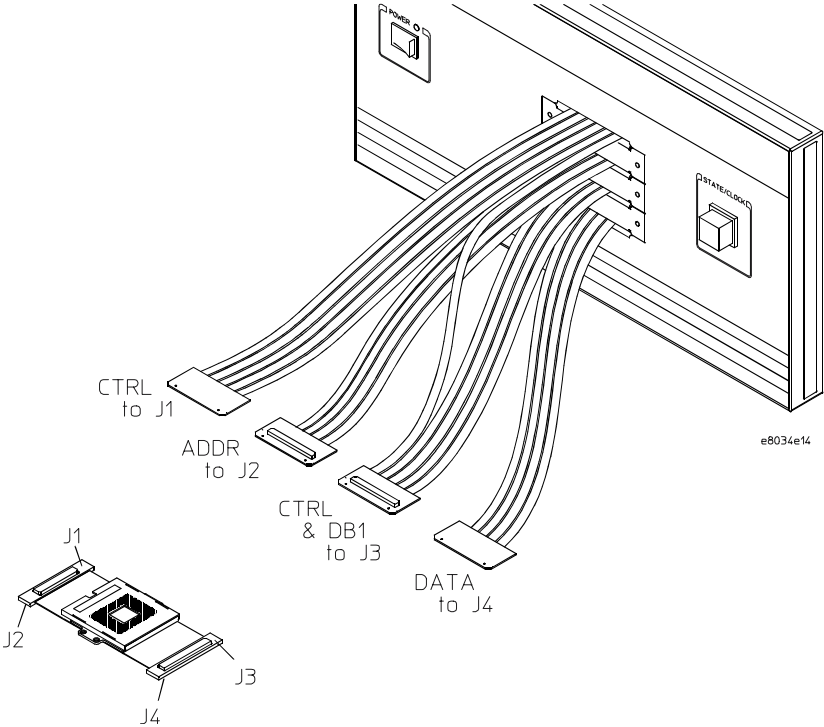
The analysis probe and interposer are calibrated as a pair.

- Connect the analysis probe cables to the interposer.

To make sure you connect the cables in the right place, refer to:

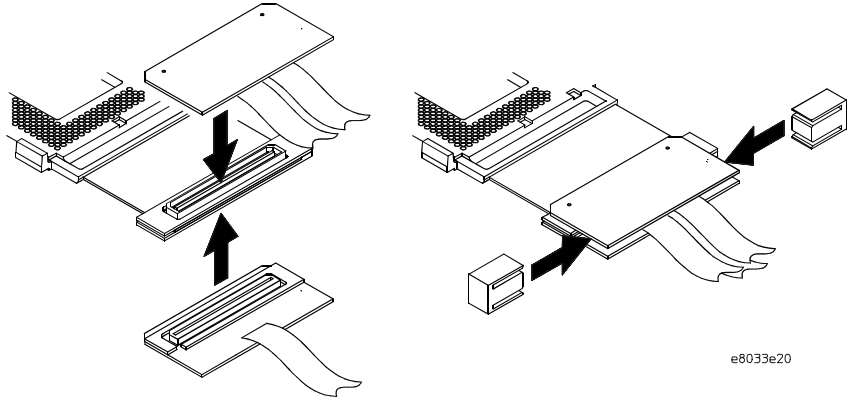
- the silkscreened labels on the interposer and on the cable paddles (in most situations, this is the easiest method)
- the illustration
- the number of cables going each paddle, as shown in the table

Replacing the Interposer



Replacing the Interposer

- The paddles on the end of the analysis probe cables connect to the top and bottom of the interposer wings.
- Install the supplied clips to keep the paddles on the end of the analysis probe cables from pulling apart.



To return a part to Agilent Technologies for service

- 1** Follow the procedures in the “Troubleshooting...” chapters to make sure that the problem is caused by a hardware failure, not by configuration or cabling problems.
- 2** In the U.S., call 1-877-4Agilent (1-877-424-4536). Outside the U.S., call your nearest Agilent sales office. Ask them for the address of the nearest Agilent service center.
- 3** Package the part and send it to the Agilent service center.

Keep any parts which you know are working.

- 4** When the part has been replaced, it will be sent back to you.

The unit returned to you will have the same serial number as the unit you sent to Agilent.

The Agilent service center can also troubleshoot the hardware and replace the failed part. To do this, send your entire measurement system to the service center, including the logic analysis system and cables.

In some parts of the world, on-site repair service is available. Ask an Agilent sales or service representative for details.

To get replacement parts

To get replacement parts

The repair strategy for this product is board replacement. However, the following tables list some mechanical parts that may be replaced if they are damaged or lost. Contact your Agilent Technologies Sales Office for further information.

For some parts, exchange assemblies are available when a repairable assembly is returned to Agilent Technologies. These assemblies have been set up on the “Exchange Assembly” program. This allows you to exchange a faulty assembly with one that has been repaired, calibrated, and performance verified by the factory. The cost is significantly less than that of a new assembly.

Agilent Part Number	Description
E8043-69002	Interposer
E8034-69004	Analysis Probe Assembly
E8033-01101	Heatsink Spring Clip
E8033-24701	Retention Module Adapter (“Adapter Shim”)
E8033-24702	Paddle Board Spacer Clip

These part numbers are subject to change without notice.

To clean the instrument

If the instrument requires cleaning:

- 1** Remove power from the instrument.
- 2** Clean the instrument with a soft cloth dampened with a mixture of mild detergent and water.
- 3** Make sure that the instrument is completely dry before reconnecting it to a power source.

Glossary

Analysis Probe A probing solution connected to the target microprocessor. It provides an interface between the signals of the target microprocessor and the inputs of the logic analyzer. Also known as a "preprocessor" or an "LAI."

Extender A part whose only function is to provide connections from one location to another. One or more extenders might be stacked to raise a probe above a target microprocessor to avoid mechanical contact with other components installed close to the target microprocessor. Sometimes called a "connector board."

Flexible Adapter Two connection devices coupled with a flexible cable. Used for connecting probing hardware on the target microprocessor to the analysis probe.

General-Purpose Flexible Adapter A cable assembly that connects the signals from an elastomeric probe adapter to an analysis probe. Normally, a male-to-male header or transition board makes the connections from the general-purpose flexible adapter to the analysis probe.

High-Density Adapter Cable A cable assembly that delivers signals from an analysis probe hardware interface to the logic analyzer pod cables. A high-density adapter cable has a single Mictor connector that is installed into the analysis probe, and two cables that are connected to corresponding odd and even logic analyzer pod cables.

High-Density Termination Adapter Cable Same as a High-Density Adapter Cable, except it has a termination in the Mictor connector.

Inverse Assembler Software that displays captured bus activity as assembly language mnemonics. In addition, inverse assemblers may show execution history or decode control busses.

Jumper Moveable direct electrical connection between two points.

Label Labels are used to group and identify logic analyzer channels. A label consists of a name and an associated bit or group of bits.

LAI Logic Analyzer Interface, see *Analysis Probe*.

LIF Socket Low insertion force socket.

Glossary

Mainframe Logic Analyzer A logic analyzer that resides on one or more board assemblies installed in an Agilent 16500, Agilent 1660-series, or Agilent 16600A/700A-series mainframe.

Monitor, In See Background Debug Monitor.

Preprocessor See Analysis Probe.

Probe adapter See Elastomeric Probe Adapter.

Setup Assistant A software program that guides a user through the process of connecting and configuring a logic analyzer to make measurements on a specific microprocessor.

Shunt Connector. See Jumper.

Solution Agilent's term for a set of tools for debugging a target system.

Symbol Symbols represent patterns and ranges of values found on labeled sets of bits. Two kinds of symbols are available:

1) Object file symbols — Symbols from your source code, and symbols generated by your compiler. Object file symbols may represent global variables, functions, labels, and source line numbers.

2) User-defined symbols — Symbols you create.

Target Control Port An 8-bit, TTL port on a logic analysis system that you can use to send signals to your target system. It does not function like a pattern generator or emulation module, but more like a remote control for the target's switches.

Target System The device under test.

Trigger Specification A set of conditions that must be true before the instrument triggers. See the printed or online documentation of your logic analyzer for details.

ZIF Socket Zero insertion force socket.

1/4-Flexible Adapter An adapter that obtains one-quarter of the signals from an elastomeric probe adapter (one side of a target microprocessor) and makes them available for probing.

A

ADDR label, 52
address
 displaying symbols for, 73
 offset field, 54
 triggering on, 67
Agilent, 125
Agilent service center, 125
analysis mode
 state, 74
analysis probe
 connecting to analyzer, 39
 definition, 129
 equipment required, 16
 equipment supplied, 14
 microprocessors supported, 2, 92
 operating characteristics, 92
 overview, 2
 processors supported, 3
 product numbers, 3
analysis probe problems, 83
 erratic trace measurements, 84
 target system will not boot, 83
analyzer problems, 81
 capacitive loading, 84
 intermittent data errors, 81
 unwanted triggers, 82
ASCII format (GPA), 112
at a glance, 2

C

cables
 logic analyzer, 39
captured execution, displaying, 69
capturing execution, 57
channel assignments, 46
characteristics
 analysis probe, 92
cleaning the instrument, 127
clearance, mechanical, 18

clock
 qualifying, 62
 slow, 88
color, 76
comments, in GPA files, 120
compacted mode, 62
configuration files
 installing, 27
 installing vs. loading, 26
 loading, 46
 predefined signals in, 51
connection
 analysis probe, 29
connector board, 129
cqual bits, 62
Cqual# label, 62
creating GPA symbol files, 112
cycle types, 76

D

data bus, missing, 85
data labels, 71
data, triggering on, 67
dataset names, 50
DB_IDLE signal, 55
dimensions, 18
display timing analysis mode data, 74
displaying captured execution, 69
download symbol information, 51

E

equipment supplied, 14
 analysis probe, 14
 ordering information, 3
 overview, 3
exchange assemblies, 126
expanded mode, 62
extender, 129

F

fixed code offsets, 54

flexible adapter
 definition, 129
FUNCTIONS in GPA format, 117

G

GC signals, 55
General-Purpose ASCII (GPA)
 symbol file, 52
General-Purpose ASCII format, 112
 address format, 112
 comments, 120
 FUNCTIONS, 117
 record format summary, 114
 record headers, 112
 SECTIONS, 116
 simple form, 112
 SOURCE LINES, 119
 START ADDRESS, 120
 VARIABLES, 118
general-purpose flexible adapter
 definition, 129

H

hang, capturing data, 68
heatsink
 reinstalling, 34
 removing, 32
 requirements, 19
height of components, 18
high-density adapter cable
 definition, 129
high-density termination adapter
 definition, 129

I

information sources, 3
installation
 hardware, overview, 30
 interposer, 37
 overview, 12
 software, 26
 versus loading, 26

installation fixture, 37
installing logic analyzer modules, 25
instrument, cleaning the, 127
intermodule measurement
 problems, 86
 an event wasn't captured, 86
interposer
 attaching to microprocessor, 37
 dimensions, 18
 Do's and don'ts, 31
inverse assembler
 definition, 129
inverted data, 71

J

jumper, definition, 129

K

keep-out area, 18

L

label names, 46
labels
 defining, 55
 definition, 129, 130
 predefined, 55
LAI
 see analysis probe
LAI, definition, 129
LIF socket
 definition, 129

Listing display window, 72
loading configuration files, 46
loading object file symbols, 52
loading symbol information, 51
logic analysis system, 125
 setting up, 23
 software version, 16

logic analyzer
 channel assignments, 46
 configuration files, 51
 configuring, 45
 label names, 46
 modules, installing, 25
 trigger setup, 59, 60
 triggers, 58
 using the, 43
logic analyzers
 supported, 16

M

mainframe logic analyzer
 definition, 130
master, analyzer card, 39
memory bank
 accesses, 76
memory management units, 54
Merge tool
 preferences, 49
microprocessor bus cycles, 76
microprocessor cartridge
 reinstalling, 34
 removing, 32
microprocessors supported, 2, 3
mode switch, 62

O

object file formats, 51
object file symbols, 58
 loading, 52
operating characteristics
 analysis probe, 92
operating mode, 62
oscilloscope
 modules, installing, 25
overview of installation, 12

P

parts supplied, 14

pattern generator modules,
 installing, 25
patterns, 60
phase, 94
pin protector, 34
pods, connecting, 39
polarity of data bits, 75
positions, unsupported, 21
power cord, 14, 24
power-ON/OFF sequence, 24
predefined symbols, 51
preferences
 merge tool, 49
preprocessor
 See analysis probe
problems
 analysis probe, 79
processor support package, 27
processors supported, 3
product numbers, 3

Q

qualification, storage, 62

R

ranges, 60
record format, General-Purpose
 ASCII, 114
record headers, 112
reference, 89
references, 3
relocated code, compensating for,
 54
repair strategy, 126
replaceable parts, 126
requirements
 software, 16
resources, 60
return a part, 125

S

Section Format, 112

- SECTIONS in GPA format, 116
 - serial number, 125
 - service guide, 121
 - set-up and hold, 56
 - setup assistant
 - definition, 130
 - Setup window, 51
 - setup, overview of, 12
 - setup/hold times, 105, 108
 - slave, analyzer card, 39
 - socket, microprocessor, 34
 - software, installing, 26
 - solution
 - definition, 130
 - SOURCE LINES in GPA format, 119
 - START ADDRESS in GPA format, 120
 - state mode, 74
 - state-per-clock modes, 62
 - storage qualification, 62
 - store qualifier switch, 62
 - suppressing all other operations, 76
 - symbol files
 - creating, 112
 - symbol information
 - loading, 51
 - Symbol Selector dialog, 52
 - symbols
 - definition, 130
 - Symbols tab, 51
 - symbols, displaying, 73
- T**
- target control port, 130
 - target system
 - boot failure, 83
 - definition, 130
 - preparing, 17
 - thresholds, 56
- timing
 - see also waveform
- timing analysis mode
 - data, displaying, 74
 - trace
 - erratic, 84
 - missing display, 82
 - transactions
 - triggering on, 67
 - trigger
 - unwanted, 82
 - trigger function, 60
 - trigger tool, 51
 - triggering
 - on address and transaction type, 67
 - on data and transaction type, 67
- troubleshooting
 - analysis probe, 79, 80
- U**
- uninstallation, 40
 - unnneeded information, 76
 - User Defined Symbols tab, 51
 - user-defined symbols, 51
- V**
- VARIABLES in GPA format, 118
 - version
 - logic analysis system, 26
 - version, logic analysis system, 16
- W**
- waveform
 - polarity, 75
 - Waveform window, 74



Agilent Technologies

DECLARATION OF CONFORMITY

According to ISO/IEC Guide 22 and CEN/CENELEC EN 45014

Manufacturer's Name: Agilent Technologies, Inc.
Manufacturer's Address: 1900 Garden of the Gods Road
 Colorado Springs, CO 80907 USA

Declares, that the product

Product Name: Analysis Probe / Interposer
Model Number(s): E8033A, E8034A, E8040A, E8042A/B (Analysis Probes)
 E8041A, E8043A/B (Interposers)
 E8033A/B, E8034A/B, (Base Instrument Model Numbers)
Product Option(s): This declaration covers all options of the above product(s).

Conforms to the following product standards:

EMC:	Standard	Limit
	IEC 61326-1:1997+A1:1998 / EN61326-1:1997+A1:1998	
	CISPR 11:1990 / EN 55011:1991	Group 1, Class A ^[1]
	IEC 61000-4-2:1995+A1:1998 / EN 61000-4-2:1995	4 kV CD, 8 kV AD
	IEC 61000-4-3:1995 / EN 61000-4-3:1995	3V/m, 80-1000 MHz
	IEC 61000-4-4:1995 / EN 61000-4-4:1995	0.5kV signal lines, 1kV power lines
	IEC 61000-4-6:1996 / EN 61000-4-6:1996	3V, 0.15-80 MHz
	Canada: ICES-001:1998	
	Australia/New Zealand: AS/NZS 2064.1	
Safety:	IEC 61010-1:1990+A1:1992+A2:1995 / EN 61010-1:1993+A2:1995	
	Canada: CSA C22.2 No. 1010.1:1992	

Conformity / Supplemental Information:

The product herewith complies with the requirements of the Low Voltage Directive 73/23/EEC and the EMC Directive 89/336/EEC and carries the CE marking accordingly (European Union).

^[1]This product was tested in a typical configuration with Agilent Technologies test systems.

Date: 7/20/2001
 Name Ken Wyatt
 Ken Wyatt, Product Regulations Manager

Product Regulations

EMC

	Performance Criteria
IEC 61326-1:1997+A1:1998 / EN 61326-1:1997+A1:1998	
CISPR 11:1990 / EN 55011:1991	
IEC 61000-4-2:1995+A1:1998 / EN 61000-4-2:1995	C (See Note)
IEC 61000-4-3:1995 / EN 61000-4-3:1995	C
IEC 61000-4-4:1995 / EN 61000-4-4:1995	C
IEC 61000-4-6:1996 / EN 61000-4-6:1996	C
Canada: ICES-001:1998	
Australia/New Zealand: AS/NZS 2064.1	

Safety

IEC 61010-1:1990+A1:1992+A2:1995 / EN 61010-1:1994+A2:1995
Canada: CSA C22.2 No. 1010.1:1992

Additional Information:

The product herewith complies with the requirements of the Low Voltage Directive 73/23/EEC and the EMC Directive 89/336/EEC and carries the CE marking accordingly (European Union).

Performance Criteria:

A PASS - Normal operation, no effect.

B PASS - Temporary degradation, self-recoverable.

C PASS - Temporary degradation, operator intervention required.

D FAIL - Not recoverable, component damage.

Note:

The input and output cable assemblies are considered to be ESD sensitive. Use standard ESD preventive practices to avoid component damage.

**Sound Pressure
Level** 60 dBA



Safety Notices

This apparatus has been designed and tested in accordance with IEC Publication 1010, Safety Requirements for Measuring Apparatus, and has been supplied in a safe condition. This is a Safety Class I instrument (provided with terminal for protective earthing). Before applying power, verify that the correct safety precautions are taken (see the following warnings). In addition, note the external markings on the instrument that are described under "Safety Symbols."

Warnings

- Before turning on the instrument, you must connect the protective earth terminal of the instrument to the protective conductor of the (mains) power cord. The mains plug shall only be inserted in a socket outlet provided with a protective earth contact. You must not negate the protective action by using an extension cord (power cable) without a protective conductor (grounding). Grounding one conductor of a two-conductor outlet is not sufficient protection.
- Only fuses with the required rated current, voltage, and specified type (normal blow, time delay, etc.) should be used. Do not use repaired fuses or short-circuited fuseholders. To do so could cause a shock or fire hazard.
- If you energize this instrument by an auto transformer (for voltage reduction or mains isolation), the common terminal must be connected to the earth terminal of the power source.
- Whenever it is likely that the

ground protection is impaired, you must make the instrument inoperative and secure it against any unintended operation.

- Service instructions are for trained service personnel. To avoid dangerous electric shock, do not perform any service unless qualified to do so. Do not attempt internal service or adjustment unless another person, capable of rendering first aid and resuscitation, is present.
- Do not install substitute parts or perform any unauthorized modification to the instrument.
- Capacitors inside the instrument may retain a charge even if the instrument is disconnected from its source of supply.

- Do not operate the instrument in the presence of flammable gasses or fumes. Operation of any electrical instrument in such an environment constitutes a definite safety hazard.
- Do not use the instrument in a manner not specified by the manufacturer.

To clean the instrument

If the instrument requires cleaning: (1) Remove power from the instrument. (2) Clean the external surfaces of the instrument with a soft cloth dampened with a mixture of mild detergent and water. (3) Make sure that the instrument is completely dry before reconnecting it to a power source.

Safety Symbols



Instruction manual symbol: the product is marked with this symbol when it is necessary for you to refer to the instruction manual in order to protect against damage to the product..



Hazardous voltage symbol.



Earth terminal symbol: Used to indicate a circuit common connected to grounded chassis.

Notices

© Agilent Technologies, Inc. 2001-2002

No part of this manual may be reproduced in any form or by any means (including electronic storage and retrieval or translation into a foreign language) without prior agreement and written consent from Agilent Technologies, Inc. as governed by United States and international copyright laws.

Manual Part Number

E8043-97004, February 2002

Print History

E8043-97001, December 2001

Agilent Technologies, Inc.
1601 California Street
Palo Alto, CA 94304 USA

Restricted Rights Legend

If software is for use in the performance of a U.S. Government prime contract or subcontract, Software is delivered and licensed as "Commercial computer software" as defined in DFAR 252.227-7014 (June 1995), or as a "commercial item" as defined in FAR 2.101(a) or as "Restricted computer software" as defined in FAR 52.227-19 (June 1987) or any equivalent agency regulation or contract clause. Use, duplication or disclosure of Software is subject to Agilent Technologies' standard commercial license terms, and non-DOD Departments and Agencies of the U.S. Government will receive no greater than Restricted Rights as defined in FAR 52.227-19(c)(1-2) (June 1987). U.S. Government users will receive no greater than Limited Rights as defined in FAR 52.227-14 (June 1987) or DFAR 252.227-7015 (b)(2) (November 1995), as applicable in any technical data.

Document Warranty

The material contained in this document is provided "as is," and is subject to being changed, without notice, in future editions. Further, to the maximum extent permitted by applicable law, Agilent disclaims all warranties, either express or implied, with regard to this manual and any information contained herein, including but not limited to the implied warranties of merchantability and fitness for a particular purpose. Agilent shall not be liable for errors or for incidental or consequential damages in connection with the furnishing, use, or performance of this document or of any information contained herein. Should Agilent and the user have a separate written agreement with warranty terms covering the material in this document that conflict with these terms, the warranty terms in the separate agreement shall control.

Technology Licenses

The hardware and/or software described in this document are furnished under a license and may be used or copied only in accordance with the terms of such license.

WARNING

A **WARNING** notice denotes a hazard. It calls attention to an operating procedure, practice, or the like that, if not correctly performed or adhered to, could result in personal injury or death. Do not proceed beyond a **WARNING** notice until the indicated conditions are fully understood and met.

CAUTION

A **CAUTION** notice denotes a hazard. It calls attention to an operating procedure, practice, or the like that, if not correctly performed or adhered to, could result in damage to the product or loss of important data. Do not proceed beyond a **CAUTION** notice until the indicated conditions are fully understood and met.